

Cryogenic Globe Valve

www.baituvalve.com
BAITU CRYOGENIC VALVE



DJ61F-40P

Cryogenic Globe Valve Long Stem

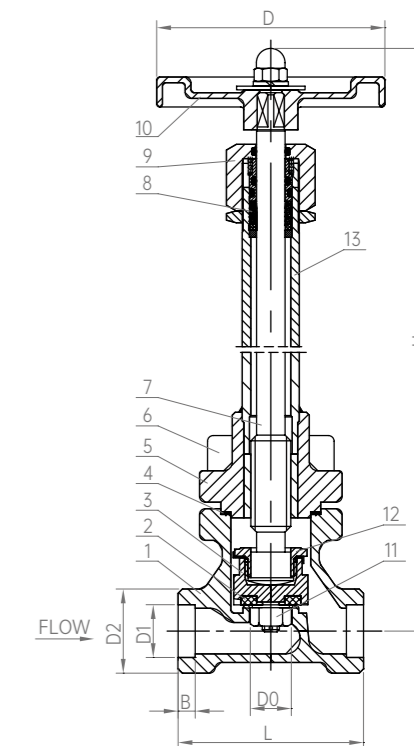
Parameters

PN: 4.0MPa
DN: Ø10~Ø50
Design Temp.: -196°C ~+80°C
Media: LNG, LO₂, LN₂, LAr, CO₂

Connection : Socket Weld



This kind of product has certified by CE, EAC, TS and CCS
Standards: GB/T 24925, EN1626:2008, TR CU 032/2013



Materials

1	Body	CF8	6	Hexagon Screw	S30408	11	Hexagon Nut	S30408
2	Disc Sealing	PCTFE	7	Stem	S30408	12	Connecting Nut	S30408
3	Disc	S30408	8	V ring	PTFE	13	Connecting Pipe	S30408
4	Gasket	RPTFE	9	Gland Nut	S30408			
5	Bonnet	S30408	10	Hand Wheel	Y102			

Model No.	Specifications & Dimensions (mm)								Weight(kg)
	H Opening	H Closing	L	D	D0	D1	D2	B	
DJ-10	210	204	60	Ø65	Ø13	Ø14.5	Ø24	6	0.9
DJ-15	253	244	65	Ø80	Ø15	Ø18.5	Ø29.5	6	1.1
DJ-20	257	246	80	Ø80	Ø20	Ø25.5	Ø36	8	1.5
DJ-25	288	274.5	90	Ø100	Ø25	Ø32.5	Ø43.5	8	2.1
DJ-32	298	283.5	105	Ø100	Ø32	Ø38.5	Ø53	8	2.8
DJ-40	365.5	348	120	Ø125	Ø40	Ø45.5	Ø62	8	4.0
DJ-50	374.5	353.5	140	Ø140	Ø50	Ø57.5	Ø72	10	5.2
DJ-15P	173	160	65	Ø80	Ø15	Ø18.5	Ø29.5	6	1.0
DJ-20P	232	221	80	Ø80	Ø20	Ø25.5	Ø36	8	1.5
DJ-25P	238	224.5	90	Ø100	Ø25	Ø32.5	Ø43.5	8	1.9
DJ-10 (G)	221	215	60	Ø65	Ø13	Ø17.8	Ø24	6	1.0
DJ-15 (G)	257	248	65	Ø80	Ø15	Ø22.2	Ø29.5	6	1.1
DJ-20 (G)	263	254	80	Ø80	Ø20	Ø27.7	Ø36	8	1.5
DJ-25 (G)	295	282	90	Ø100	Ø25	Ø34.5	Ø43.5	8	2.1
DJ-32 (G)	305.5	291	105	Ø100	Ø32	Ø43.2	Ø53	8	2.8
DJ-40 (G)	373.5	356	120	Ø125	Ø40	Ø49	Ø62	8	3.9
DJ-50 (G)	384.5	361.5	140	Ø140	Ø50	Ø61.1	Ø72	10	5.2

DJ61F-40P

Cryogenic Globe Valve Long Stem

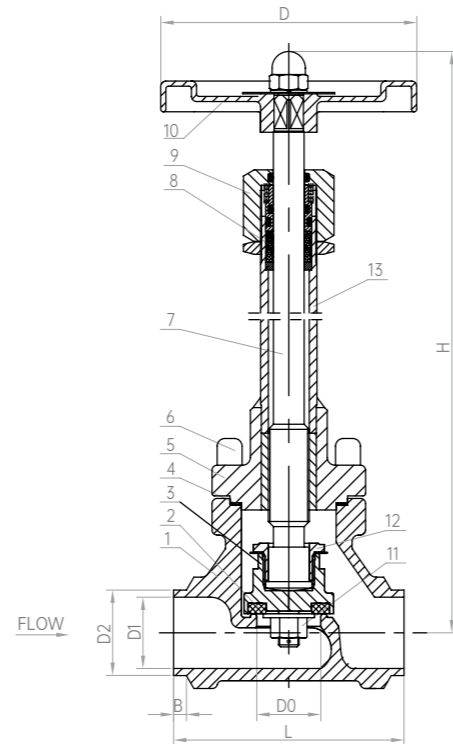
Parameters

PN: 4.0MPa
DN: Ø10~Ø50
Design Temp.: -196°C ~+80°C
Media: LNG, LO₂, LN₂, LAr, CO₂

Connection : Butt Weld



This kind of product has certified by CE, EAC, TS and CCS
Standards: GB/T 24925, EN1626:2008, TR CU 032/2013



Materials

1 Body	CF8	6 Hexagon Screw	S30408	11 Hexagon Nut	S30408
2 Disc Sealing	PCTFE	7 Stem	S30408	12 Connecting Nut	S30408
3 Disc	S30408	8 V ring	PTFE	13 Connecting Pipe	S30408
4 Gasket	RPTFE	9 Gland Nut	S30408		
5 Bonnet	S30408	10 Hand Wheel	Y102		

Model No.	Specifications & Dimensions (mm)								Weight(kg)
	H Opening	H Closing	L	D	D0	D1	D2	B	
DJ-10A	221	215	60	Ø65	Ø13	Ø13	Ø17	4	1.0
DJ-15A	257	248	65	Ø80	Ø15	Ø17.08	Ø21.3	5	1.2
DJ-20A	263	254	80	Ø80	Ø20	Ø22.48	Ø26.7	5	1.4
DJ-25A	295	282	90	Ø100	Ø25	Ø27.9	Ø33.4	5	2.1
DJ-32A	305.5	291	105	Ø100	Ø32	Ø36	Ø42.2	5	2.9
DJ-40A	373.5	356	120	Ø125	Ø40	Ø43	Ø48.3	5	3.9
DJ-50A	384.5	361.5	140	Ø140	Ø50	Ø55	Ø60.3	5	5.4
DJ-15K	257	248	65	Ø80	Ø15	Ø14	Ø18	5	1.2
DJ-20K	263	254	80	Ø80	Ø20	Ø20	Ø25	5	1.5
DJ-25K	295	282	90	Ø100	Ø25	Ø27	Ø32	5	2.1
DJ-32K	305.5	291	105	Ø100	Ø32	Ø32	Ø38	5	2.9
DJ-40K	373.5	356	120	Ø125	Ø40	Ø39	Ø45	5	3.9
DJ-50K	384.5	361.5	140	Ø140	Ø50	Ø51	Ø57	5	5.4

DJ61F-63P

Cryogenic Globe Valve Long Stem

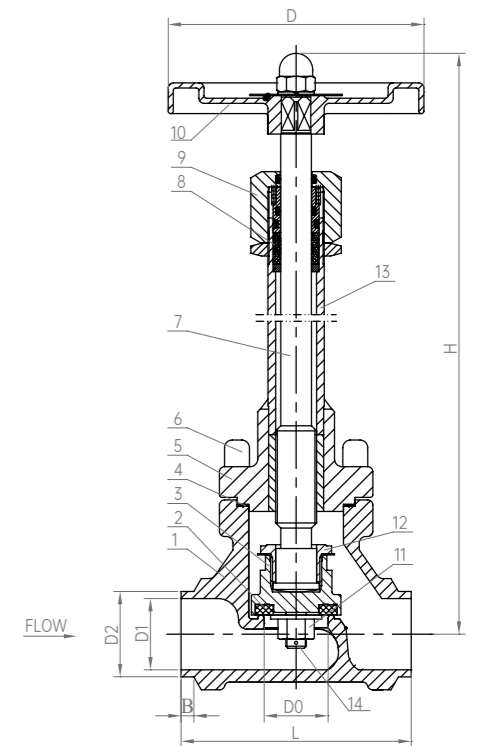
Parameters

PN: 6.3MPa
DN: Ø10~Ø50
Design Temp.: -196°C ~+80°C
Media: LNG, LO₂, LN₂, LAr, CO₂

Connection : Butt Weld



This kind of product has certified by CE, EAC, TS and CCS
Standards: GB/T 24925, EN1626:2008, TR CU 032/2013



Materials

1 Body	CF8	6 Hexagon Screw	S30408	11 Hexagon Nut	S30408
2 Disc Sealing	PCTFE	7 Stem	S30408	12 Connecting Nut	S30408
3 Disc	S30408	8 V ring	PTFE	13 Connecting Pipe	S30408
4 Gasket	RPTFE	9 Gland Nut	S30408		
5 Bonnet	S30408	10 Hand Wheel	Y102		

Model No.	Specifications & Dimensions (mm)								Weight(kg)
	H Opening	H Closing	L	D	D0	D1	D2	B	
DJ-10AL	221	215	60	Ø65	Ø13	Ø13	Ø17	4	
DJ-15AL	257	248	65	Ø80	Ø15	Ø17.08	Ø21.3	5	
DJ-20AL	263	254	80	Ø80	Ø20	Ø22.48	Ø26.7	5	
DJ-25AL	295	282	90	Ø100	Ø25	Ø27.9	Ø33.4	5	
DJ-32AL	305.5	291	105	Ø100	Ø32	Ø36	Ø42.2	5	
DJ-40AL	373.5	356	120	Ø125	Ø40	Ø43	Ø48.3	5	
DJ-50AL	384.5	361.5	140	Ø140	Ø50	Ø55	Ø60.3	5	
DJ-15KL	257	248	65	Ø80	Ø15	Ø14	Ø18	5	
DJ-20KL	263	254	80	Ø80	Ø20	Ø20	Ø25	5	
DJ-25KL	295	282	90	Ø100	Ø25	Ø27	Ø32	5	
DJ-32KL	305.5	291	105	Ø100	Ø32	Ø32	Ø38	5	
DJ-40KL	373.5	356	120	Ø125	Ø40	Ø39	Ø45	5	
DJ-50KL	384.5	361.5	140	Ø140	Ø50	Ø51	Ø57	5	


DJ61F-40P

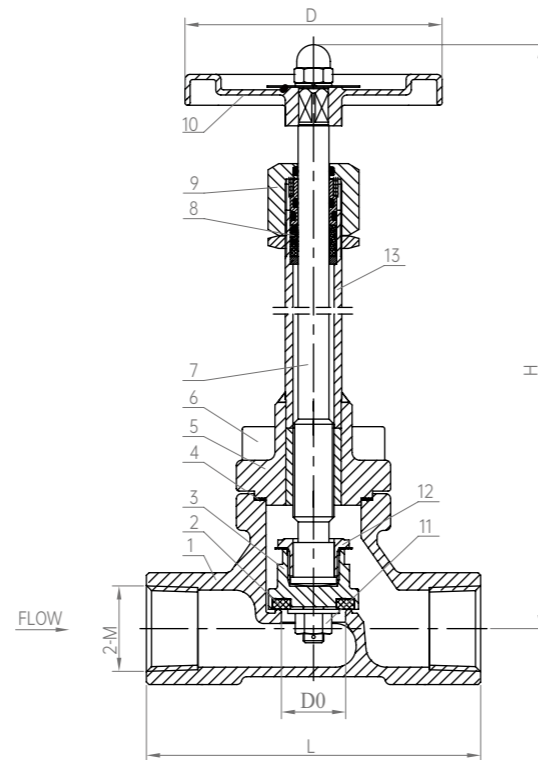
Cryogenic Globe Valve Long Stem

Parameters

PN: 4.0MPa
DN: Ø10~Ø50
Design Temp.: -196°C ~+80°C
Media: LNG, LO₂, LN₂, LAr, CO₂

Connection : Thread Connection

 This kind of product has certified by CE, EAC, TS and CCS
Standards: GB/T 24925, EN1626:2008, TR CU 032/2013



Materials

1 Body	CF8	6 Hexagon Screw	S30408	11 Hexagon Nut	S30408
2 Disc Sealing	PCTFE	7 Stem	S30408	12 Connecting Nut	S30408
3 Disc	S30408	8 V ring	PTFE	13 Connecting Pipe	S30408
4 Gasket	RPTFE	9 Gland Nut	S30408		
5 Bonnet	S30408	10 Hand Wheel	Y102		

Model No.	Specifications & Dimensions (mm)						Weight(kg)
	H Opening	H Closing	L	D	D0	M	
DJ-10(NPT)	221	215	60	Ø65	Ø13	NPT 3/8	
DJ-15(NPT)	257	248	97	Ø65	Ø15	NPT 1/2	1.4
DJ-20(NPT)	263	254	128	Ø80	Ø20	NPT 3/4	
DJ-25(NPT)	295	282	130	Ø90	Ø25	NPT 1	2.4
DJ-40(NPT)	373.5	356	176	Ø125	Ø40	NPT 1 1/2	4.7


DJ61F-40P

Cryogenic Globe Valve Short Stem

Parameters

PN: 4.0MPa
DN: Ø10~Ø50
Design Temp.: -40°C ~+80°C
Media: NG, O₂, N₂, Ar, CO₂

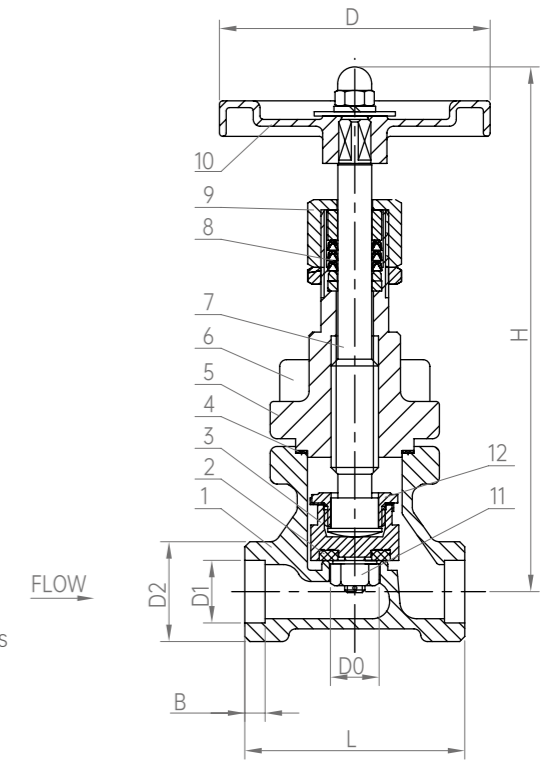
Connection : Socket Weld

 This kind of product has certified by CE, EAC, TS and CCS
Standards: GB/T 24925, EN1626:2008, TR CU 032/2013

Materials

1 Body	CF8	6 Hexagon Screw	S30408	11 Hexagon Nut	S30408
2 Disc Sealing	PTFE	7 Stem	S30408	12 Connecting Nut	S30408
3 Disc	S30408	8 V ring	PTFE	13 Connecting Pipe	S30408
4 Gasket	RPTFE	9 Gland Nut	S30408		
5 Bonnet	S30408	10 Hand Wheel	Y102		

Model No.	Specifications & Dimensions (mm)								Weight(kg)
	H Opening	H Closing	L	D	D0	D1	D2	B	
DJ-10G	120	114	60	Ø65	Ø13	Ø14.5	Ø24	6	0.8
DJ-15G	146	137	65	Ø80	Ø15	Ø18.5	Ø29.5	6	1.0
DJ-20G	150	139	80	Ø80	Ø20	Ø25.5	Ø36	8	1.4
DJ-25G	173	159.5	90	Ø100	Ø25	Ø32.5	Ø43.5	8	1.8
DJ-32G	183	168.5	105	Ø100	Ø32	Ø38.5	Ø53	8	2.5
DJ-40G	222.5	205	120	Ø125	Ø40	Ø45.5	Ø62	8	3.6
DJ-50G	231.5	210.5	140	Ø140	Ø50	Ø57.5	Ø72	10	5.0
DJ-10GY	120	114	60	Ø65	Ø13	Ø17.8	Ø24	6	0.8
DJ-15GY	146	137	65	Ø80	Ø15	Ø22.2	Ø29.5	6	1.0
DJ-20GY	150	139	80	Ø80	Ø20	Ø27.7	Ø36	8	1.4
DJ-25GY	173	159.5	90	Ø100	Ø25	Ø34.5	Ø43.5	8	1.9
DJ-32GY	183	168.5	105	Ø100	Ø32	Ø43.2	Ø53	8	2.5
DJ-40GY	222.5	205	120	Ø125	Ø40	Ø49	Ø62	8	3.4
DJ-50GY	231.5	210.5	140	Ø140	Ø50	Ø61.1	Ø72	10	5.0



DJ61F-40P

Cryogenic Globe Valve Short Stem

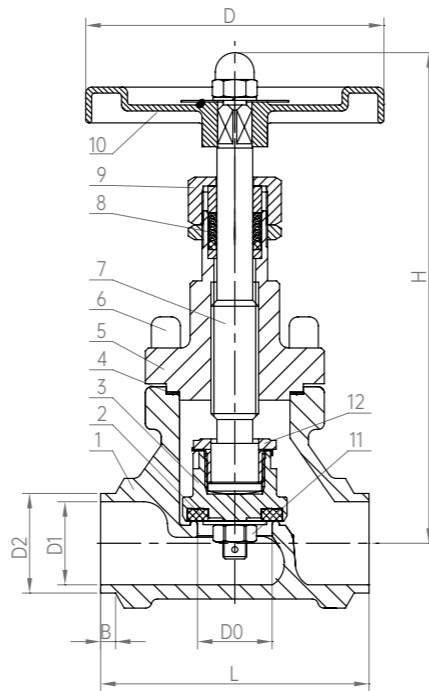
Parameters

PN: 4.0MPa
DN: Ø10~Ø50
Design Temp.: -40°C ~+80°C
Media: NG, O₂, N₂, Ar, CO₂

Connection : Butt Weld



This kind of product has certified by CE, EAC, TS and CCS
Standards: GB/T 24925, EN1626:2008, TR CU 032/2013



Materials

1 Body	CF8	6 Hexagon Screw	S30408	11 Hexagon Nut	S30408
2 Disc Sealing	PTFE	7 Stem	S30408	12 Connecting Nut	S30408
3 Disc	S30408	8 V ring	PTFE	13 Connecting Pipe	S30408
4 Gasket	RPTFE	9 Gland Nut	S30408		
5 Bonnet	S30408	10 Hand Wheel	Y102		

Model No.	Specifications & Dimensions (mm)								Weight(kg)
	H Opening	H Closing	L	D	D0	D1	D2	B	
DJ-10GA	120	114	60	Ø65	Ø13	Ø13	Ø17	4	0.8
DJ-15GA	146	137	65	Ø80	Ø15	Ø17.08	Ø21.3	5	1.0
DJ-20GA	150	139	80	Ø80	Ø20	Ø22.48	Ø26.7	5	1.4
DJ-25GA	173	159.5	90	Ø100	Ø25	Ø27.9	Ø33.4	5	1.8
DJ-32GA	183	168.5	105	Ø100	Ø32	Ø36	Ø42.2	5	2.5
DJ-40GA	222.5	205	120	Ø125	Ø40	Ø43	Ø48.3	5	3.6
DJ-50GA	231.5	210.5	140	Ø140	Ø50	Ø55	Ø60.3	5	5.0
DJ-15GK	146	137	65	Ø80	Ø15	Ø14	Ø18	5	1.0
DJ-20GK	150	139	80	Ø80	Ø20	Ø20	Ø25	5	1.4
DJ-25GK	173	159.5	90	Ø100	Ø25	Ø27	Ø32	5	1.9
DJ-32GK	183	168.5	105	Ø100	Ø32	Ø32	Ø38	5	2.5
DJ-40GK	222.5	205	120	Ø125	Ø40	Ø39	Ø45	5	3.4
DJ-50GK	231.5	210.5	140	Ø140	Ø50	Ø51	Ø57	5	5.0

DJ61F-40P

Cryogenic Globe Valve Short Stem

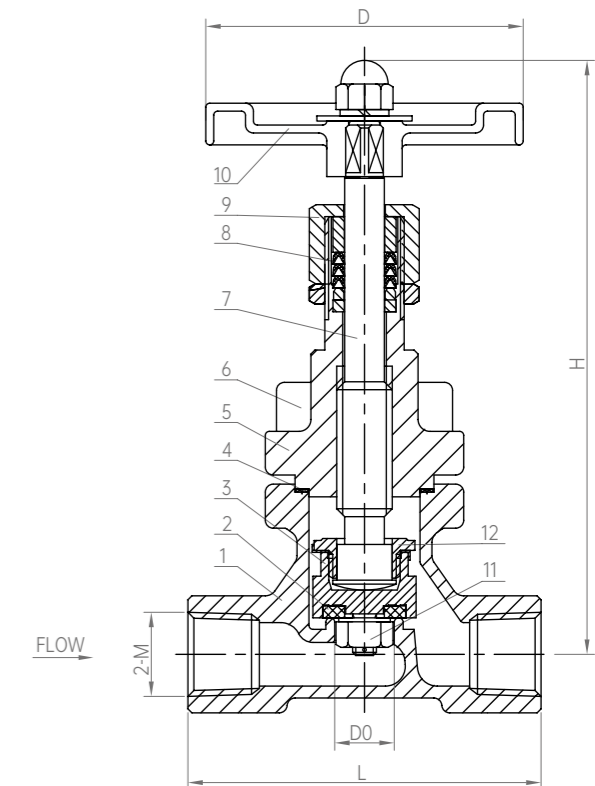
Parameters

PN: 4.0MPa
DN: Ø10~Ø50
Design Temp.: -40°C ~+80°C
Media: NG, O₂, N₂, Ar, CO₂

Connection : Thread Connection



This kind of product has certified by CE, EAC, TS and CCS
Standards: GB/T 24925, EN1626:2008, TR CU 032/2013



Materials

1 Body	CF8	6 Hexagon Screw	S30408	11 Hexagon Nut	S30408
2 Disc Sealing	PTFE	7 Stem	S30408	12 Connecting Nut	S30408
3 Disc	S30408	8 V ring	PTFE	13 Connecting Pipe	S30408
4 Gasket	RPTFE	9 Gland Nut	S30408		
5 Bonnet	S30408	10 Hand Wheel	Y102		

Model No.	Specifications & Dimensions (mm)						Weight(kg)
	H Opening	H Closing	L	D	D0	M	
DJ-10NPT	131	125	60	Ø65	Ø13	NPT 3/8	
DJ-15NPT	150	141	97	Ø65	Ø15	NPT 1/2	1.1
DJ-20NPT	158	147	128	Ø80	Ø20	NPT 3/4	
DJ-25NPT	180	167	130	Ø90	Ø25	NPT 1	2.1
DJ-40NPT	230.5	213	176	Ø125	Ø40	NPT 1 1/2	4.3

DJ61F-40P

Cryogenic Globe Valve Long Stem

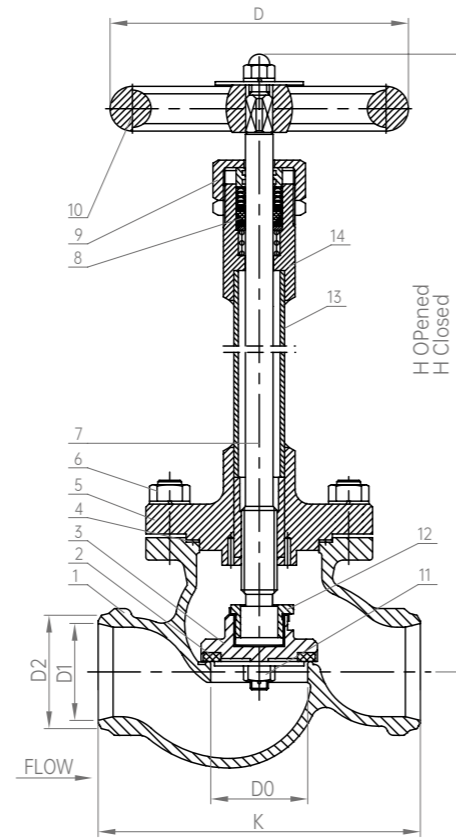
Parameters

PN: 4.0MPa
DN: Ø65~Ø100
Design Temp.: -196°C ~+80°C
Media: LNG, LO₂, LN₂, LAr, CO₂

Connection : Butt Weld



This kind of product has certified by CE, EAC, TS and CCS
Standards: GB/T 24925, EN1626:2008, TR CU 032/2013



Materials

1 Body	CF8	6 Hexagon Screw	S30408	11 Hexagon Nut	S30408
2 Disc Sealing	PCTFE	7 Stem	S30408	12 Connecting Nut	S30408
3 Disc	S30408	8 V ring	PTFE	13 Connecting Pipe	S30408
4 Gasket	RPTFE	9 Gland Nut	S30408	14 Gland Packings	S30408
5 Bonnet	S30408	10 Hand Wheel	HT200		

Model No.	Specifications & Dimensions (mm)							Weight(kg)
	H Opened	H Closed	K	D	D0	D1	D2	
DJ-65A1	520	495	216	Ø200	Ø65	Ø70	Ø76	15.4
DJ-80A1	549	522	241	Ø250	Ø80	Ø81	Ø89	22.8
DJ-100A1	634	601	292	Ø315	Ø100	Ø100	Ø108	31.8
DJ-100C1	634	601	275	Ø315	Ø100	Ø106.3	Ø114.3	31.8

DJ61F-40P

Cryogenic Globe Valve Long Stem

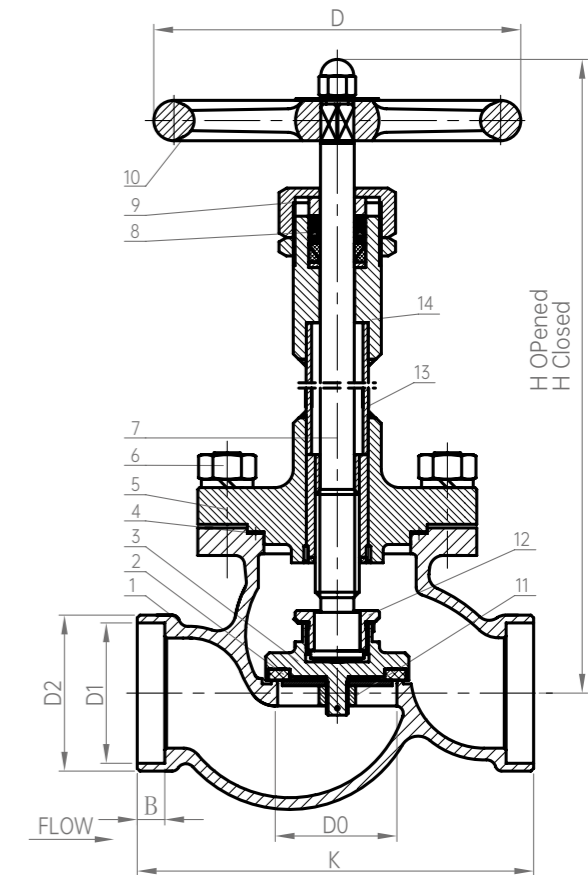
Parameters

PN: 4.0MPa
DN: Ø65~Ø100
Design Temp.: -196°C ~+80°C
Media: LNG, LO₂, LN₂, LAr, CO₂

Connection : Socket Weld



This kind of product has certified by CE, EAC, TS and CCS
Standards: GB/T 24925, EN1626:2008, TR CU 032/2013



Materials

1 Body	CF8	6 Hexagon Screw	S30408	11 Hexagon Nut	S30408
2 Disc Sealing	PCTFE	7 Stem	S30408	12 Connecting Nut	S30408
3 Disc	S30408	8 V ring	PTFE	13 Connecting Pipe	S30408
4 Gasket	RPTFE	9 Gland Nut	S30408	14 Gland Packings	S30408
5 Bonnet	S30408	10 Hand Wheel	HT200		

Model No.	Specifications & Dimensions (mm)								Weight(kg)
	H Opened	H Closed	K	D	D0	D1	D2	B	
DJ-65B1	520	495	216	Ø200	Ø65	Ø76.5	Ø85	15	15.4
DJ-80B1	549	522	241	Ø250	Ø80	Ø89.5	Ø103	15	22.8
DJ-100B1	634	601	292	Ø315	Ø100	Ø108.5	Ø120	15	31.8

DJ61F-40P

Cryogenic Globe Valve Short Stem

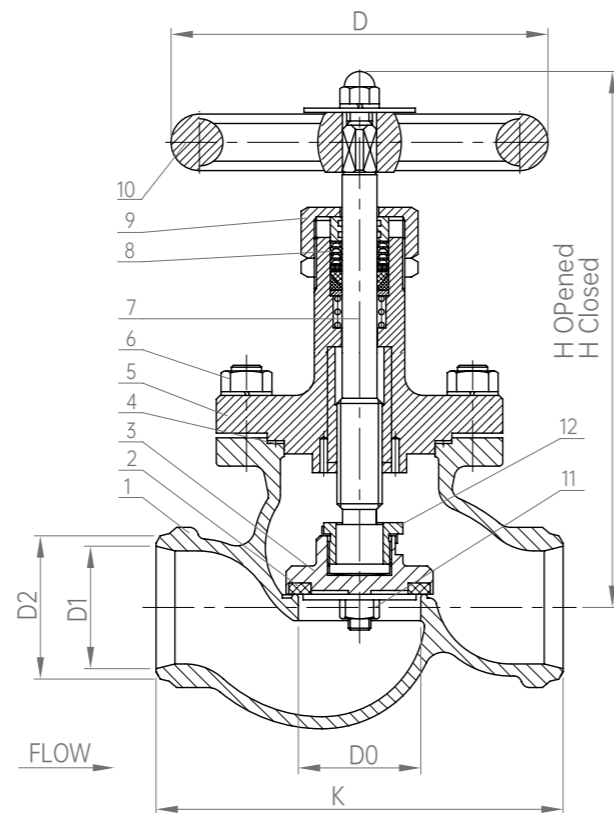
Parameters

PN: 4.0MPa
DN: Ø65~Ø100
Design Temp.: -40°C ~+80°C
Media: NG, O₂, N₂, Ar, CO₂

Connection : Butt Weld



This kind of product has certified by CE, EAC, TS and CCS
Standards: GB/T 24925, EN1626:2008, TR CU 032/2013



Materials

1 Body	CF8	5 Bonnet	S30408	9 Gland Nut	S30408
2 Disc Sealing	PTFE	6 Hexagon Screw	S30408	10 Hand Wheel	HT200
3 Disc	S30408	7 Stem	S30408	11 Hexagon Nut	S30408
4 Gasket	RPTFE	8 Vring	PTFE	12 Connecting Nut	S30408

Model No.	Specifications & Dimensions (mm)							Weight(kg)
	H Opened	H Closed	K	D	D0	D1	D2	
DJ-65G1	275	250	216	Ø200	Ø65	Ø70	Ø76	14
DJ-80G1	316	288	241	Ø250	Ø80	Ø81	Ø89	21
DJ-100G1	346	313	292	Ø315	Ø100	Ø100	Ø108	
DJ-100GC1	346	313	275	Ø315	Ø100	Ø106.3	Ø114.3	

DJ61F-40T

Cryogenic Globe Valve Short Stem

Parameters

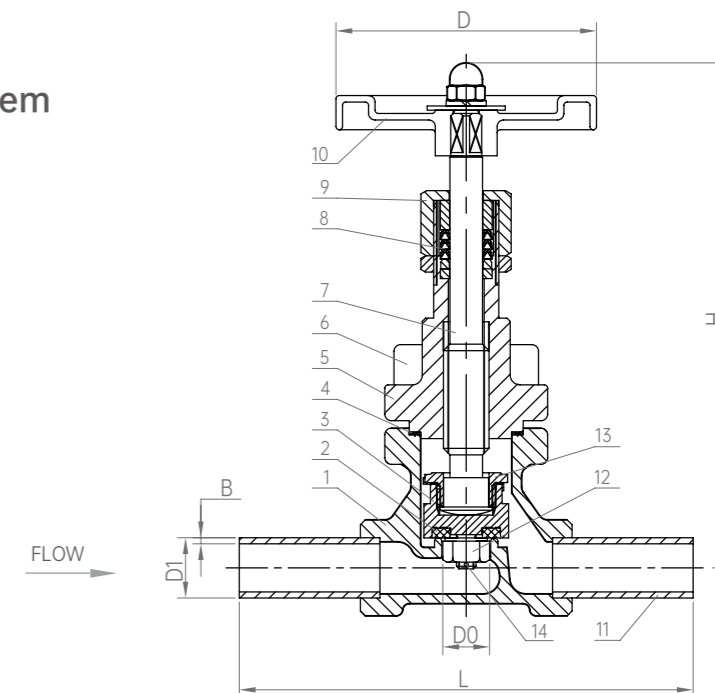
PN: 4.0MPa
DN: Ø10~Ø50
Design Temp.: -40°C ~+80°C
Media: NG, O₂, N₂, Ar, CO₂



This kind of product has certified by CE, EAC, TS and CCS
Standards: GB/T 24925, EN1626:2008, TR CU 032/2013

Materials

1 Body	B62	6 Screw	S30408	11 Pipe	S30408
2 Gasket	PCTFE	7 Stem	S30408	12 Nut	C36000
3 Disc	C36000	8 Ring	PTFE	13 Connecting Nut	S30408
4 Ring	D#9000	9 Gland Nut	S30408	14 Split Pin	H62
5 Bonnet	C37700	10 Hand Wheel	Y102		



Remarks: **DJ-15.99.xxx**

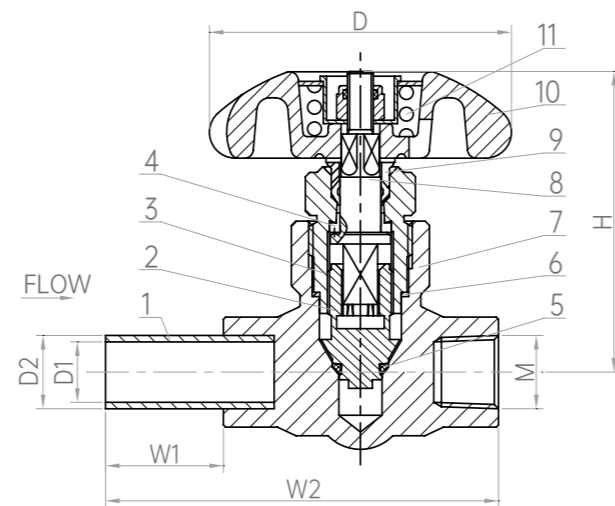
106: Short Stem SS Pipe (metric system) 108: Short Stem SS Pipe (British system)
Materials of Body and Bonnet: B62
DN

Model No.	Specifications & Dimensions (mm)										Weight(kg)
	H Opening	H Closing	L	D	D0	D1 metric system	D1 British system	B metric system	B British system	Cv	
DJ-10.99.xxx	131	125	210	65	13	14	17.2	2.5	2.31	2.1	
DJ-15.99.xxx	150	141	215	80	15	18	21.3	2.8	2.77	2.9	
DJ-20.99.xxx	158	147	230	80	20	25	26.9	3.0	2.87	6.1	
DJ-25.99.xxx	180	167	240	100	25	32	33.7	3.5	3.38	9.3	
DJ-32.99.xxx	190	176	255	100	32	38	42.4	3.6	3.56	16	
DJ-40.99.xxx	230.5	213	270	125	40	45	48.3	3.6	3.68	22	
DJ-50.99.xxx	241.5	218.5	290	140	50	57	60.3	4.0	3.91	38	

Cryogenic Globe Valve

Parameters

PN: 4.0MPa
DN: Ø10
Design Temp.: -196°C ~+85°C
Media: LNG, LO₂, LN₂, LAr, CO₂



This kind of product has certified by CE, EAC, TS and CCS
Standards: GB/T 24925, EN1626:2008, TR CU 032/2013

Materials

1 Pipe	S30408	5 Gasket	PCTFE	9 Gland	C36000
2 Gate	C36000	6 Washer	T2	10 Hand Wheel	ZL102
3 Gland Nut	C36000	7 Body	C37700	11 Spring	S30210
4 Washer	PTFE	8 Stem	C36000		

Remarks: **DJ-10P.01.xx**

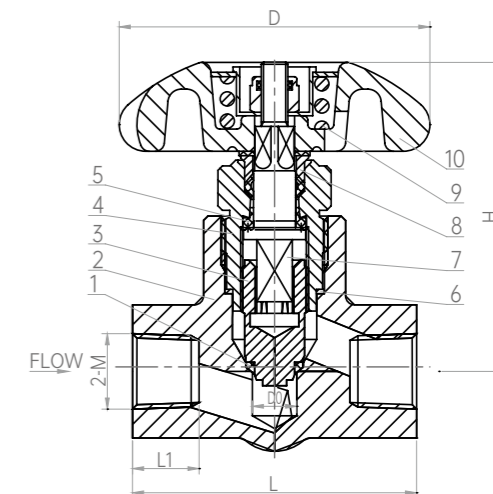
- Connectin size of pipe and thread
- Connection type of inlet and outlet
- DN

Model No.	Specifications & Dimensions (mm)								Weight(kg)
	D	H	W1	W2	M	D1	D2	Cv	
DJ-10P.01.01	Ø70	70	27	91	NPT3/8	Ø13	Ø17	1.76	
DJ-10P.01.02	Ø70	70	50	114	NPT3/8	Ø13	Ø17	1.76	
DJ-10P.01.03	Ø70	70	87	137	NPT3/8	Ø13	Ø17	1.76	

Cryogenic Globe Valve

Parameters

PN: 4.0MPa
DN: Ø10
Design Temp.: -196°C ~+85°C
Media: LNG, LO₂, LN₂, LAr, CO₂



This kind of product has certified by CE, EAC, TS and CCS
Standards: GB/T 24925, EN1626:2008, TR CU 032/2013

Materials

1 Gasket	PCTFE	6 Body	C37700
2 Gate	C36000	7 Washer	T2
3 Gland Nut	C36000	8 Gland	C36000
4 Washer	PTFE	9 Hand Wheel	ZL102
5 Stem	C36000	10 Spring	S30210

Remarks: **DJ-10P.02.xx**

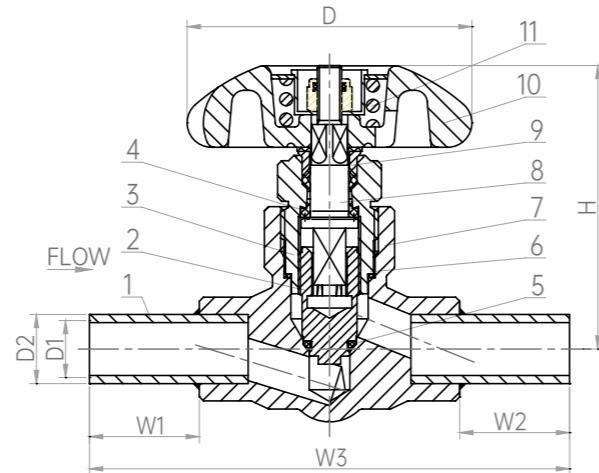
- Connectin size of thread
- Connection type of inlet and outlet
- DN

Model No.	Specifications & Dimensions (mm)					Weight(kg)
	D	H	W	M	Cv	
DJ-10P.02.01	Ø70	70	64	NPT 1/4	0.99	
DJ-10P.02.02	Ø70	70	64	NPT 3/8	1.76	
DJ-10P.02.03	Ø70	70	64	NPT 1/2	1.79	

Cryogenic Globe Valve

Parameters

PN: 4.0MPa
DN: Ø10
Design Temp.: -196°C ~ +85°C
Media: LNG, LO₂, LN₂, LAr, CO₂



This kind of product has certified by CE, EAC, TS and CCS
Standards: GB/T 24925, EN1626:2008, TR CU 032/2013

Materials

1	Pipe	S30408	5	Gasket	PCTFE	9	Gland	C36000
2	Gate	C36000	6	Washer	T2	10	Hand Wheel	ZL102
3	Gland Nut	C36000	7	Body	C37700	11	Spring	S30210
4	Washer	PTFE	8	Stem	C36000			

Remarks: **DJ-10P.03.xx**

..... Connectin size of pipe
..... Connection type of inlet and outlet
..... DN

Model No.	Specifications & Dimensions (mm)							Weight(kg)
	D	H	W1	W2	D1	D2	Cv	
DJ-10P.03.01	Ø70	70	27	118	Ø13	Ø17	1.1	
DJ-10P.03.02	Ø70	70	55	174	Ø13	Ø17	1.1	

Cryogenic Check Valve

www.baituvalve.com
BAITU CRYOGENIC VALVE



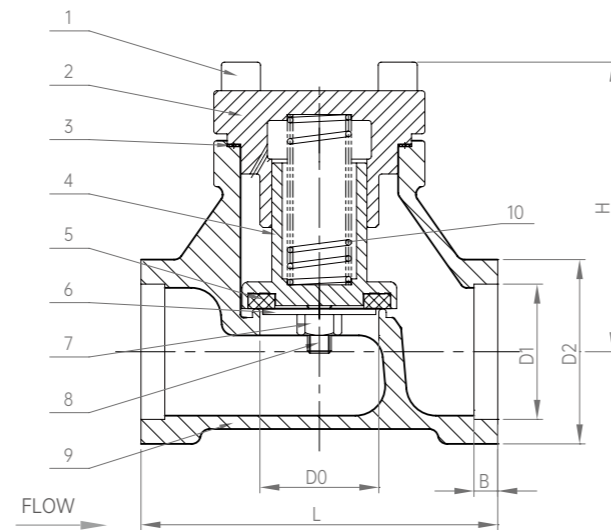
DH61F-40P

Cryogenic Check Valve Uplift Type

Parameters

PN: 4.0MPa
DN: Ø10~Ø50
Design Temp.: -196°C ~+80°C
Media: LNG, LO₂, LN₂, LAr

Connection : Socket Weld



This kind of product has certified by CE, EAC, TS and CCS
Standards: GB/T 24925, EN1626:2008, TR CU 032/2013

Materials

1 Hexagon Screw	S30408	5 Disc Sealing	PTFE	8 Split pin	S30408
2 Bonnet	CF8	6 Gasket	S30408	9 Body	CF8
3 Gasket	RPTFE	7 Hexagon Nut	S30408	10 Spring	S30210
4 Disc	S30408				

Model No.	Specifications & Dimensions (mm)						Weight(kg)
	H	L	D0	D1	D2	B	
DH-10	55	60	Ø13	Ø14.5	Ø24	6	
DH-15	62	65	Ø15	Ø18.5	Ø29.5	6	0.7
DH-20	70	80	Ø20	Ø25.5	Ø36	8	1.1
DH-25	77	90	Ø25	Ø32.5	Ø43.5	8	1.4
DH-32	89	105	Ø32	Ø38.5	Ø53	8	2.3
DH-40	98	120	Ø40	Ø45.5	Ø62	8	2.9
DH-50	111	140	Ø50	Ø57.5	Ø72	10	4.4
DH-10Y	55	60	Ø13	Ø17.8	Ø24	6	
DH-15Y	62	65	Ø15	Ø22.2	Ø29.5	6	0.7
DH-20Y	70	80	Ø20	Ø27.7	Ø36	8	1.1
DH-25Y	77	90	Ø25	Ø34.5	Ø43.5	8	1.4
DH-32Y	89	105	Ø32	Ø43.2	Ø53	8	2.3
DH-40Y	98	120	Ø40	Ø49	Ø62	8	2.9
DH-50Y	111	140	Ø50	Ø61.1	Ø72	10	4.5

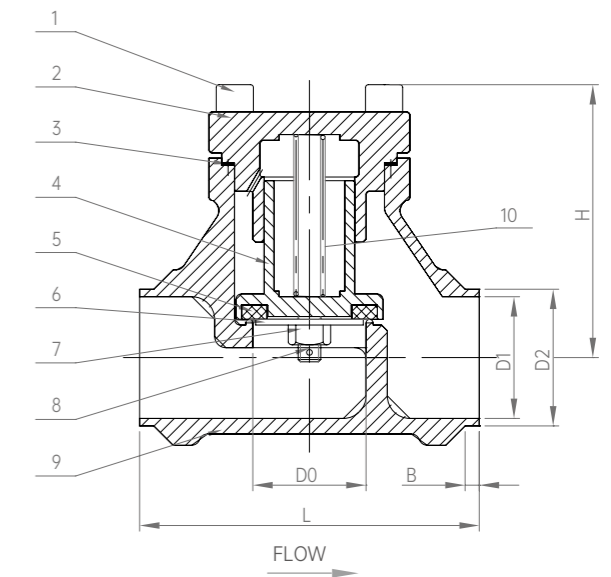
DH61F-40P

Cryogenic Check Valve Uplift Type

Parameters

PN: 4.0MPa
DN: Ø10~Ø50
Design Temp.: -196°C ~+80°C
Media: LNG, LO₂, LN₂, LAr

Connection : Butt Weld



This kind of product has certified by CE, EAC, TS and CCS
Standards: GB/T 24925, EN1626:2008, TR CU 032/2013

Materials

1 Hexagon Screw	S30408	5 Disc Sealing	PTFE	8 Split pin	S30408
2 Bonnet	CF8	6 Gasket	S30408	9 Body	CF8
3 Gasket	RPTFE	7 Hexagon Nut	S30408	10 Spring	S30210
4 Disc	S30408				

Model No.	Specifications & Dimensions (mm)						Weight(kg)
	H	L	D0	D1	D2	B	
DH-10A	55	60	Ø13	Ø13	Ø17	4	
DH-15A	62	65	Ø15	Ø17.08	Ø21.3	5	0.7
DH-20A	70	80	Ø20	Ø22.48	Ø26.7	5	1.1
DH-25A	77	90	Ø25	Ø27.9	Ø33.4	5	1.4
DH-32A	89	105	Ø32	Ø36	Ø42.2	5	2.3
DH-40A	98	120	Ø40	Ø43	Ø48.3	5	2.9
DH-50A	111	140	Ø50	Ø55	Ø60.3	5	4.4
DH-15K	62	65	Ø15	Ø14	Ø18	5	0.7
DH-20K	70	80	Ø20	Ø20	Ø25	5	1.1
DH-25K	77	90	Ø25	Ø27	Ø32	5	1.4
DH-32K	89	105	Ø32	Ø32	Ø38	5	2.3
DH-40K	98	120	Ø40	Ø39	Ø45	5	2.9
DH-50K	111	140	Ø50	Ø51	Ø57	5	4.4