

# Dual Stage Pressure Regulators

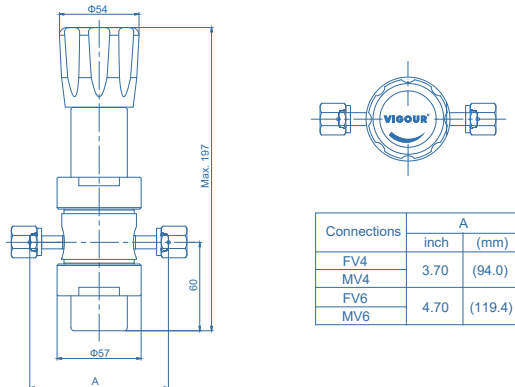
## VSR-710UB Series

### Product Feature

- Dual-stage pressure regulator
- 10µin. Ra surface finish (25µin. Ra optional)
- Minimized internal volume for short purge times
- All materials used meet ASTM A479 / A484 / A276 standards
- Internal connectors for pressure gauges
- Flow capacity: to 30 slpm (standard), to 120 slpm (optional)
- High control accuracy
- Metal-to-metal seal to atmosphere
- Simple outlet pressure limitation by hand-wheel
- 100% helium-leak-tested
- Tied-diaphragm design



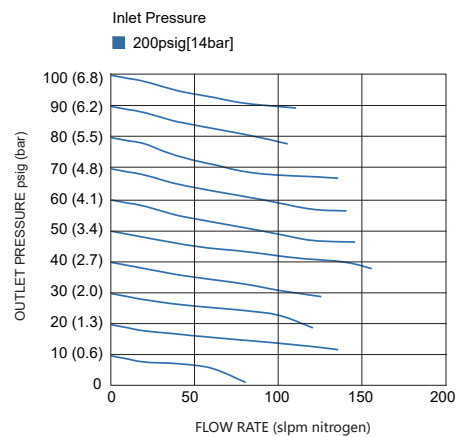
### Dimensions (mm)



### Technical Data

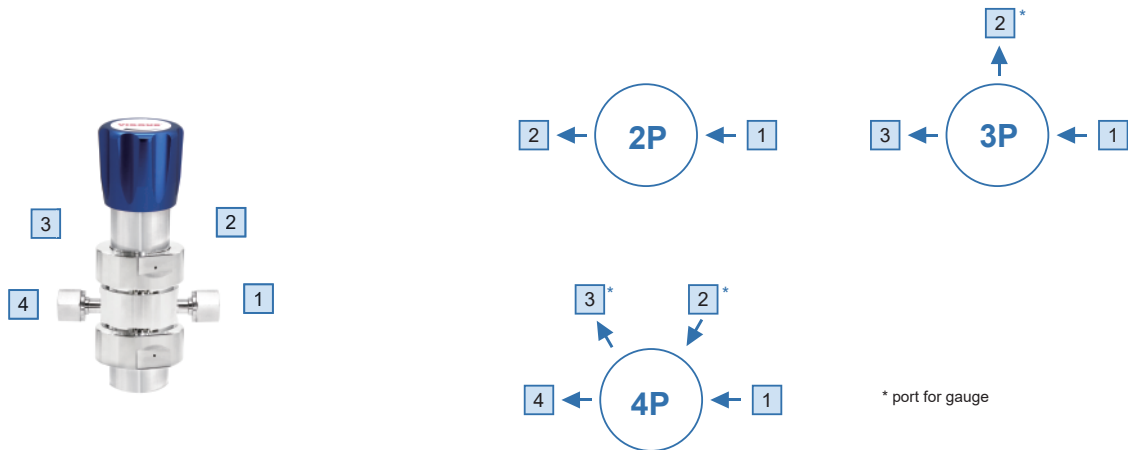
Type:	Dual-stage
Inlet pressure P1:	max. 3500 psig
Outlet pressure P2:	30/60/100 psig
Surface finish:	10µin. Ra (25µin. Ra optional)
<b>Materials</b>	
Body:	see ordering info
Valve seat:	PCTFE (Vespel® optional)
Diaphragm:	Hastelloy® C276
Inlets and Outlets:	1/4" / 3/8" VFS fitting and tube weld
Bonnet port:	1/8" NPT (on panel mount option, bonnet port is not threaded)
Temperature range:	-40°F to +160°F (-40°C to +71°C)
Leak rate: (to atmosphere)	1x10 <sup>-9</sup> mbar l/s He
(via seat)	1x10 <sup>-8</sup> mbar l/s He
Flow capacity:	Cv=0.05
Supply pressure effect:	0.05 psig rise in delivery pressure per 100 psig source pressure drop
Weight:	approx. 2.5kg

### Flowchart



# Dual Stage Pressure Regulators VSR-710UB Series

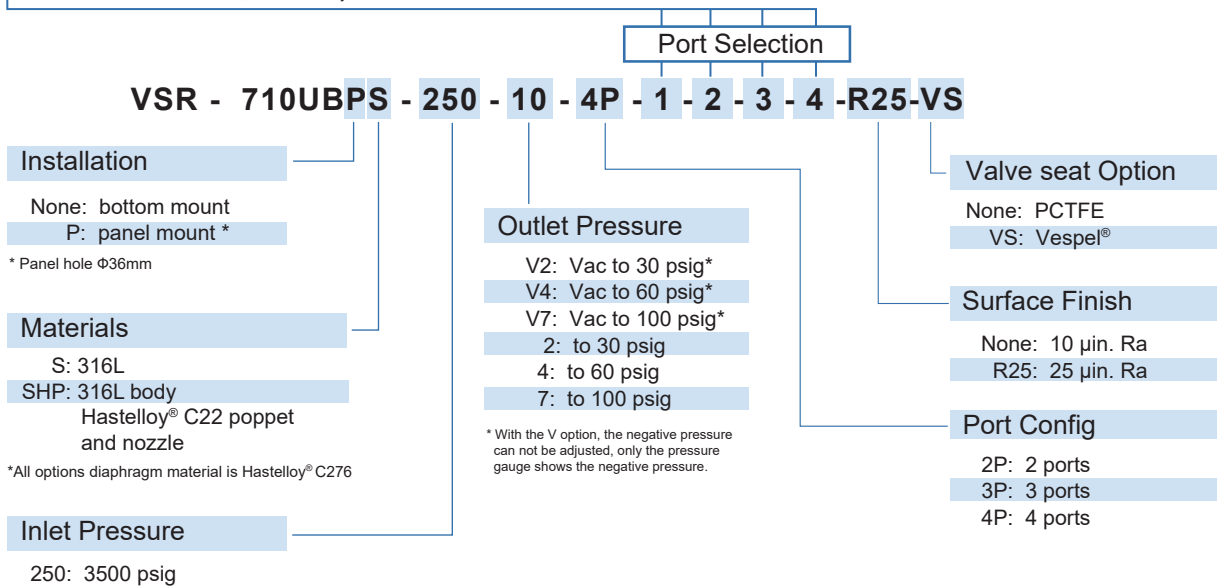
## Ordering Information



### Inlet/outlet Connection

FV4: 1/4" VFS female	IFV4: 1/4" (gauge female threaded connection machined on the body)	P: gauge (1/4" VFS fitting)
MV4: 1/4" VFS male	TW4: 1/4" tube weld	IP: gauge (IFV4 fitting)
FV6: 3/8" VFS female	TW6: 3/8" tube weld	
MV6: 3/8" VFS male		

\* Other connection standard, consult factory



## Ordering Example

VSR - 710UBS - 250 - 10 - FV4 - P - P - FV4

1 - 2 - 3 - 4