

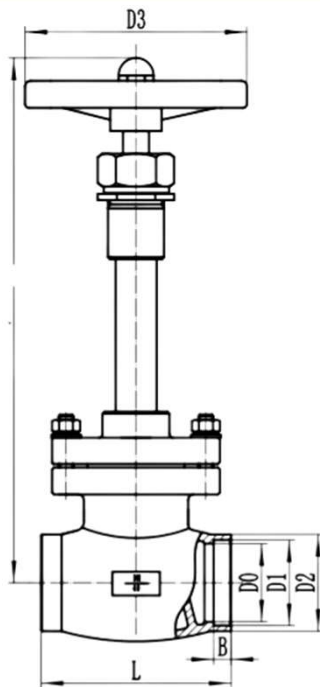


Globe valve- CDJ61F



四川良川机械设备有限公司

SI CHUAN LIANGCHUAN MECHANICAL EQUIPMRNT CO.,LTD



Body: CF8 CF3
 Bonnet:SS304/316
 Stem:SS304/316
 Packing: PTFE
 Disc Seal: PCTFE
 Nominal diameter: DN10-150mm
 Nominal pressure: PN4.0Mpa
 Suitable temperature:-196℃~+80℃
 Applicable medium:LNG、LO2、LN2、LAr

| 产品代号 | 尺寸 | | | | | | | | |
|-----------|-----|-----|-----|-----|----|-----|-----|-----|-----|
| | DN | H开 | H关 | L | B | D0 | D1 | D2 | D3 |
| C325DJ10 | 10 | 255 | 245 | 61 | 6 | 12 | 15 | 22 | 75 |
| C325DJ15 | 15 | 255 | 245 | 61 | 6 | 15 | 19 | 26 | 75 |
| C325DJ20 | 20 | 302 | 289 | 81 | 6 | 23 | 26 | 34 | 100 |
| C325DJ25 | 25 | 302 | 289 | 81 | 6 | 26 | 33 | 39 | 100 |
| C325DJ32 | 32 | 355 | 340 | 102 | 9 | 35 | 39 | 46 | 119 |
| C325DJ40 | 40 | 355 | 340 | 102 | 10 | 42 | 46 | 52 | 119 |
| C325DJ50 | 50 | 391 | 370 | 127 | 10 | 54 | 58 | 66 | 139 |
| C325DJ65 | 65 | 435 | 413 | 150 | 10 | 68 | 77 | 85 | 135 |
| C325DJ80 | 80 | 486 | 516 | 182 | 10 | 84 | 89 | 100 | 196 |
| C325DJ100 | 100 | 564 | 531 | 200 | 15 | 104 | 109 | 121 | 213 |
| C325DJ125 | 125 | 663 | 621 | 280 | 15 | 125 | 133 | 147 | 292 |
| C325DJ150 | 150 | 693 | 620 | 405 | 15 | 151 | 160 | 195 | 400 |

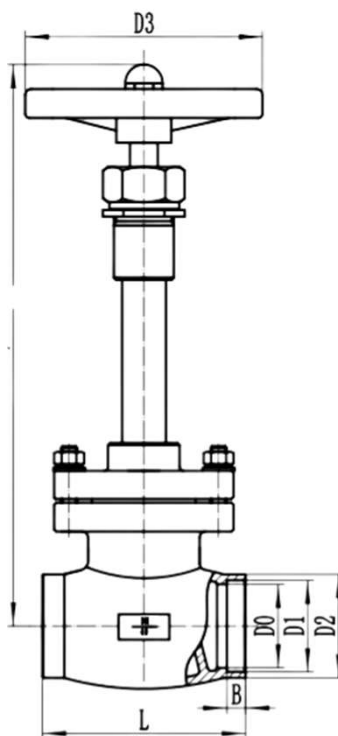


Globe valve- CDJ61F



四川良川机械设备有限公司

SI CHUAN LIANGCHUAN MECHANICAL EQUIPMRNT CO.,LTD



Body: CF8 CF3

Bonnet:SS304/316

Stem:SS304/316

Packing: PTFE

Disc Seal: PCTFE

Nominal diameter: DN15-50mm

Nominal pressure: PN5.0Mpa

Suitable temperature:-196°C~+80°C

Applicable medium:LNG、LO2、LN2、LAr

| 产品代号 | 尺寸 | | | | | | |
|----------|----|-----|-----|-----|----|------|----|
| | DN | H开 | H关 | L | B | D1 | D2 |
| C325DJ15 | 15 | 255 | 245 | 75 | 10 | 22.2 | 28 |
| C325DJ20 | 20 | 302 | 289 | 104 | 13 | 27.8 | 44 |
| C325DJ25 | 25 | 302 | 289 | 104 | 13 | 34.3 | 44 |
| C325DJ40 | 40 | 355 | 340 | 128 | 13 | 49 | 55 |
| C325DJ50 | 50 | 391 | 370 | 158 | 16 | 61 | 74 |

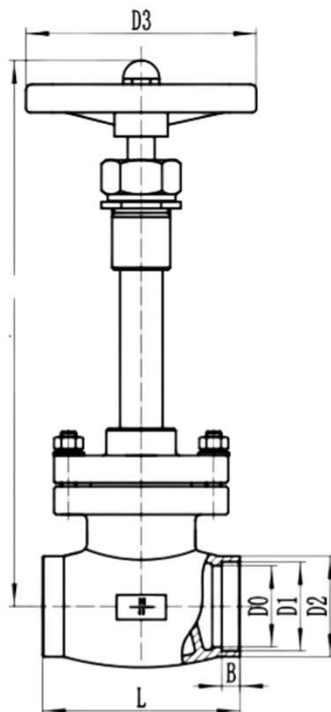


Globe valve-CDJ61F



四川良川机械设备有限公司

SI CHUAN LIANGCHUAN MECHANICAL EQUIPMRNT CO.,LTD



Body: CF8 CF3
 Bonnet:SS304/316
 Stem:SS304/316
 Packing: PTFE
 Disc Seal: PCTFE
 Nominal diameter: DN10-150mm
 Nominal pressure: PN4.0Mpa
 Suitable temperature:-196℃~+80℃
 Applicable medium:LNG、LO2、LN2、LAr

| 产品代号 | 尺寸 | | | | | | | | |
|-----------|-----|-----|-----|-----|----|-----|-----|-----|-----|
| | DN | H开 | H关 | L | B | D0 | D1 | D2 | D3 |
| C325DJ8 | 8 | 255 | 245 | 61 | 6 | 6 | 11 | 22 | 75 |
| C325DJ10 | 10 | 255 | 245 | 61 | 6 | 12 | 15 | 22 | 75 |
| C325DJ15 | 15 | 255 | 245 | 61 | 6 | 15 | 19 | 26 | 75 |
| C325DJ20 | 20 | 302 | 289 | 81 | 6 | 23 | 26 | 34 | 100 |
| C325DJ25 | 25 | 302 | 289 | 81 | 6 | 26 | 33 | 39 | 100 |
| C325DJ32 | 32 | 355 | 340 | 102 | 9 | 35 | 39 | 46 | 119 |
| C325DJ40 | 40 | 355 | 340 | 102 | 10 | 42 | 46 | 52 | 119 |
| C325DJ50 | 50 | 391 | 370 | 127 | 10 | 54 | 58 | 66 | 139 |
| C325DJ65 | 65 | 435 | 413 | 150 | 10 | 68 | 77 | 85 | 135 |
| C325DJ80 | 80 | 486 | 516 | 182 | 10 | 84 | 89 | 100 | 196 |
| C325DJ100 | 100 | 564 | 531 | 200 | 15 | 104 | 109 | 121 | 213 |
| C325DJ125 | 125 | 663 | 621 | 280 | 15 | 125 | 133 | 147 | 292 |
| C325DJ150 | 150 | 693 | 620 | 405 | 15 | 151 | 160 | 195 | 400 |

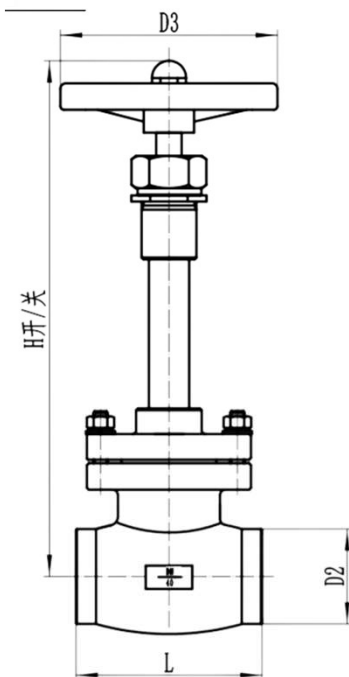


Globe valve-BW Type



四川良川机械设备有限公司

SI CHUAN LIANGCHUAN MECHANICAL EQUIPMRNT CO.,LTD



Body: CF8 CF3

Bonnet:SS304/316

Stem:SS304/316

Packing: PTFE

Disc Seal: PCTFE

Nominal diameter: DN10-100mm

Nominal pressure: PN4.0Mpa

Suitable temperature:-196℃~+80℃

Applicable medium:LNG、LO2、LN2、LAr

| 产品代号 | 尺寸 | | | | |
|-----------|-----|-----|-----|-----|-----|
| | DN | H开 | H关 | L | D2 |
| C325DJ10 | 10 | 255 | 245 | 76 | 14 |
| C325DJ15 | 15 | 255 | 245 | 90 | 18 |
| C325DJ20 | 20 | 302 | 289 | 104 | 25 |
| C325DJ25 | 25 | 302 | 289 | 104 | 32 |
| C325DJ32 | 32 | 355 | 340 | 116 | 38 |
| C325DJ40 | 40 | 355 | 340 | 128 | 45 |
| C325DJ50 | 50 | 391 | 370 | 158 | 57 |
| C325DJ65 | 65 | 435 | 413 | 188 | 76 |
| C325DJ80 | 80 | 486 | 516 | 212 | 89 |
| C325DJ100 | 100 | 564 | 531 | 260 | 108 |

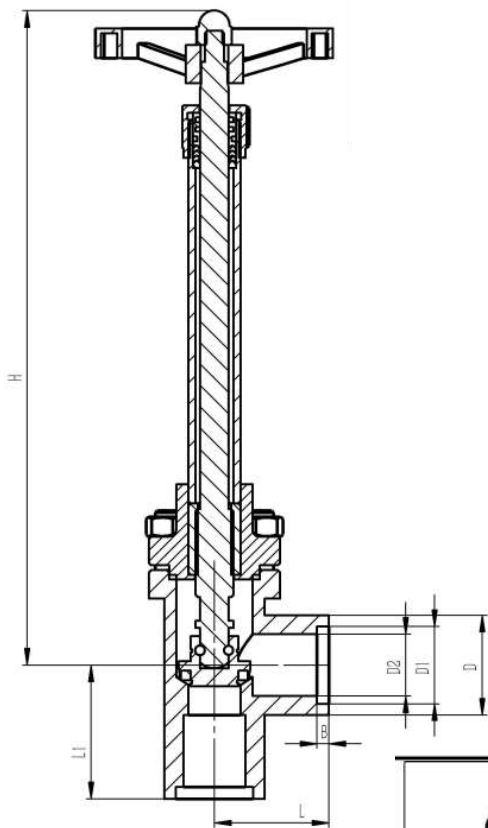


Globe valve-Angle Type



四川良川机械设备有限公司

SI CHUAN LIANGCHUAN MECHANICAL EQUIPMRNT CO.,LTD



Body: CF8 CF3

Bonnet:SS304/316

Stem:SS304/316

Packing: PTFE

Disc Seal: PCTFE

Nominal diameter: DN15-40mm

Nominal pressure: PN4.0Mpa

Suitable temperature: -196°C ~ +80°C

Applicable medium:LNG、LO2、LN2、LAr

| CODE | SIZE (mm) | | | | | | | |
|-----------|-----------|----|------|----|----|----|----|-------|
| | DN | D | D1 | D2 | B | L | L1 | H |
| DJ64F-50P | 15 | 42 | 32.5 | 17 | 5 | 48 | 48 | 235±2 |
| DJ64F-50P | 25 | 30 | 20.5 | 26 | 5 | 48 | 56 | 275±2 |
| DJ64F-50P | 40 | 56 | 46 | 40 | 10 | 50 | 62 | 332±2 |

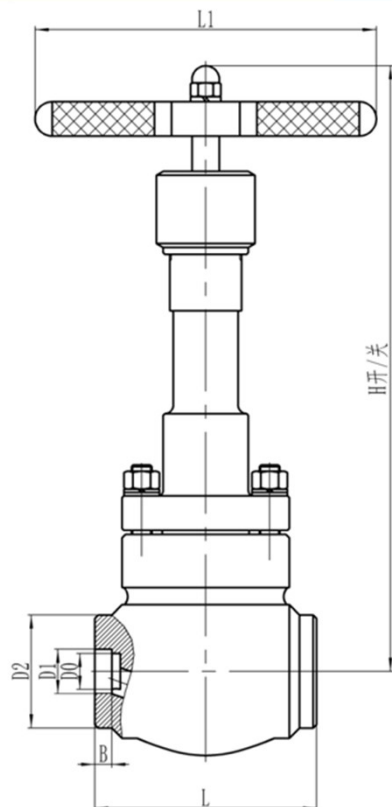


Globe Valve- High pressure



四川良川机械设备有限公司

SI CHUAN LIANGCHUAN MECHANICAL EQUIPMRNT CO.,LTD



Body: CF8 CF3

Bonnet:SS304/316

Stem:SS304/316

Packing: PTFE

Disc Seal: PCTFE

Nominal diameter: DN10-25mm

Nominal pressure: PN32.0Mpa

Suitable temperature: -196℃~+80℃

Applicable medium:LNG、LO2、LN2、LAr

| 产品代号 | 尺寸 | | | | | | | | |
|----------|----|-----|-----|-----|----|----|----|----|-----|
| | DN | H开 | H关 | L | B | D0 | D1 | D2 | L1 |
| C325DJ10 | 10 | 255 | 245 | 114 | 10 | 13 | 18 | 42 | 75 |
| C325DJ15 | 15 | 255 | 245 | 114 | 10 | 17 | 22 | 42 | 75 |
| C325DJ20 | 20 | 302 | 289 | 130 | 10 | 21 | 26 | 66 | 100 |
| C325DJ25 | 25 | 302 | 289 | 130 | 10 | 28 | 33 | 66 | 100 |

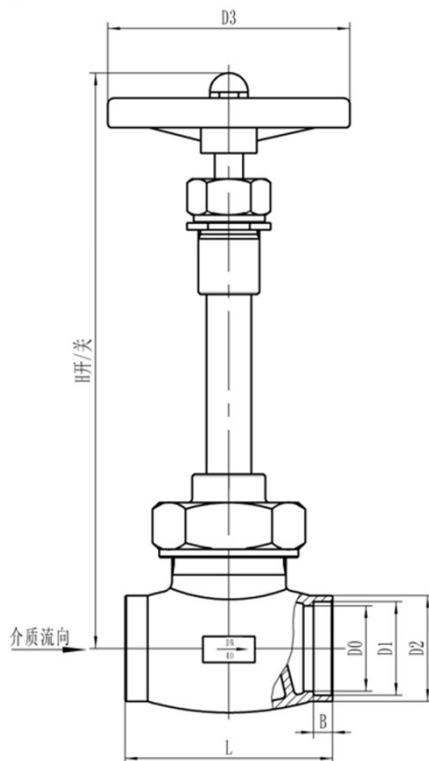


Globe valve-O₂,N₂,Ar₂



四川良川机械设备有限公司

SI CHUAN LIANGCHUAN MECHANICAL EQUIPMRNT CO.,LTD



Body: CF8 CF3
 Bonnet:SS304/316
 Stem:SS304/316
 Packing: PTFE
 Disc Seal: PCTFE
 Nominal diameter: DN10-40mm
 Nominal pressure: PN4.0Mpa
 Suitable temperature:-196℃~+80℃
 Applicable medium:LNG、LO₂、LN₂、LAr

| 产品代号 | 尺寸 | | | | | | | | |
|----------|----|-----|-----|-----|---|----|----|----|-----|
| | DN | H开 | H关 | L | B | D0 | D1 | D2 | D3 |
| C328DJ10 | 10 | 250 | 240 | 61 | 6 | 12 | 15 | 22 | 75 |
| C328DJ15 | 15 | 255 | 246 | 61 | 6 | 15 | 19 | 26 | 75 |
| C328DJ20 | 20 | 293 | 283 | 81 | 6 | 23 | 26 | 34 | 100 |
| C328DJ25 | 25 | 301 | 289 | 81 | 6 | 26 | 33 | 39 | 100 |
| C328DJ32 | 32 | 349 | 334 | 102 | 9 | 35 | 39 | 46 | 119 |
| C328DJ40 | 40 | 356 | 341 | 102 | 9 | 42 | 46 | 52 | 119 |

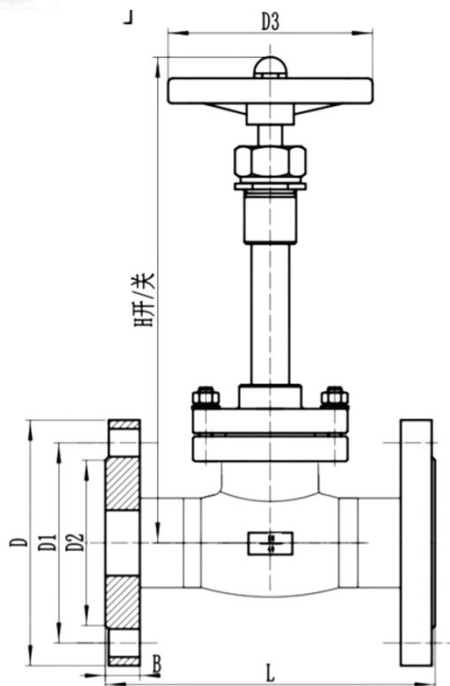


Globe valve-Flange Type



四川良川机械设备有限公司

SI CHUAN LIANGCHUAN MECHANICAL EQUIPMRNT CO.,LTD



Body: CF8 CF3

Bonnet:SS304/316

Stem:SS304/316

Packing: PTFE

Disc Seal: PCTFE

Nominal diameter: DN10-150mm

Nominal pressure: PN4.0Mpa

Suitable temperature:-196℃~+80℃

Applicable medium:LNG、LO2、LN2、LAr

| 产品代号 | 尺寸 | | | | | | | | |
|-----------|-----|-----|-----|-----|----|------|-----|-----|-----|
| | DN | H开 | H关 | L | B | z-φd | D | D1 | D2 |
| C325DJ10 | 10 | 255 | 245 | 130 | 14 | 4-14 | 90 | 60 | 40 |
| C325DJ15 | 15 | 255 | 245 | 130 | 14 | 4-14 | 95 | 65 | 45 |
| C325DJ20 | 20 | 302 | 289 | 150 | 14 | 4-14 | 105 | 75 | 55 |
| C325DJ25 | 25 | 302 | 289 | 160 | 14 | 4-14 | 115 | 85 | 65 |
| C325DJ32 | 32 | 355 | 340 | 180 | 16 | 4-18 | 135 | 100 | 78 |
| C325DJ40 | 40 | 355 | 340 | 200 | 16 | 4-18 | 145 | 110 | 85 |
| C325DJ50 | 50 | 391 | 370 | 230 | 16 | 4-18 | 160 | 125 | 100 |
| C325DJ65 | 65 | 435 | 413 | 290 | 18 | 8-18 | 180 | 145 | 120 |
| C325DJ80 | 80 | 486 | 516 | 310 | 20 | 8-18 | 195 | 160 | 135 |
| C325DJ100 | 100 | 564 | 531 | 350 | 20 | 8-23 | 230 | 190 | 160 |
| C325DJ125 | 125 | 663 | 621 | 400 | 28 | 8-25 | 270 | 220 | 188 |
| C325DJ150 | 150 | 693 | 620 | 480 | 30 | 8-25 | 300 | 250 | 218 |

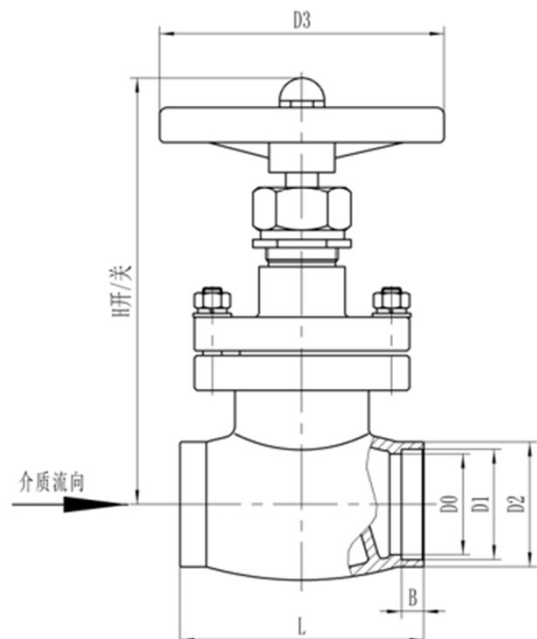


Short stem Globe valve- CJ61F



四川良川机械设备有限公司

SI CHUAN LIANGCHUAN MECHANICAL EQUIPMRNT CO.,LTD



Body: CF8 CF3

Bonnet: SS304/316

Stem: SS304/316

Packing: PTFE

Disc Seal: PCTFE

Nominal diameter: DN10-40mm

Nominal pressure: PN1.6-6.4Mpa

Suitable temperature: -80°C~+80°C

Applicable medium: Gas

| 产品代号 | 尺寸 | | | | | | | | |
|---------|----|-----|-----|-----|---|----|----|----|-----|
| | DN | H开 | H关 | L | B | D0 | D1 | D2 | D3 |
| C325J10 | 10 | 127 | 116 | 61 | 6 | 12 | 15 | 22 | 75 |
| C325J15 | 15 | 127 | 116 | 61 | 6 | 15 | 19 | 26 | 75 |
| C325J20 | 20 | 156 | 143 | 81 | 6 | 23 | 26 | 34 | 100 |
| C325J25 | 25 | 156 | 143 | 81 | 6 | 26 | 33 | 39 | 100 |
| C325J32 | 32 | 186 | 174 | 102 | 9 | 35 | 39 | 46 | 119 |
| C325J40 | 40 | 186 | 174 | 102 | 9 | 42 | 46 | 52 | 119 |

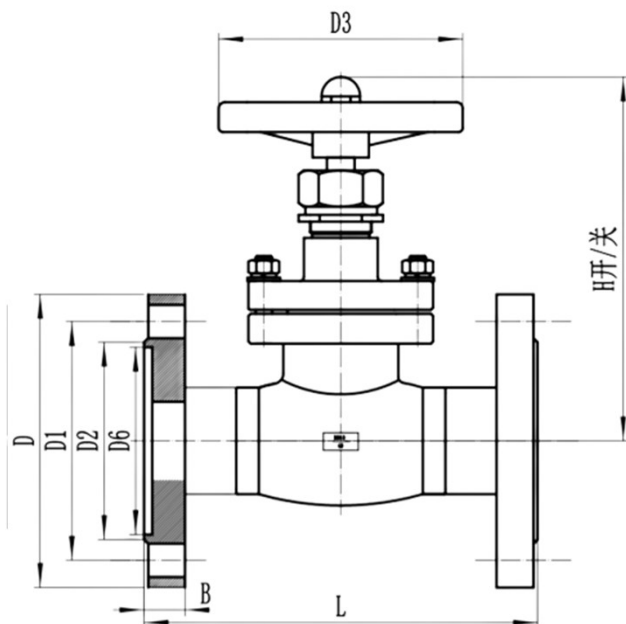


Globe valve- Flange Type



四川良川机械设备有限公司

SI CHUAN LIANGCHUAN MECHANICAL EQUIPMRNT CO.,LTD



Body: CF8 CF3
 Bonnet: SS304/316
 Stem: SS304/316
 Packing: PTFE
 Disc Seal: PCTFE
 Nominal diameter: DN10-100mm
 Nominal pressure: PN1.6-6.4Mpa
 Suitable temperature: -80°C~+80°C
 Applicable medium: Gas

| 产品代号 | 尺寸 | | | | | | | | | | |
|-----------|-----|-----|-----|-----|----|------|-----|-----|-----|-----|-----|
| | DN | H开 | H关 | L | B | z-φd | D | D1 | D2 | D6 | D3 |
| C206DA15 | 15 | 134 | 124 | 130 | 14 | 4-14 | 95 | 65 | 45 | 40 | 75 |
| C206DA20 | 20 | 163 | 150 | 150 | 14 | 4-14 | 105 | 75 | 55 | 51 | 100 |
| C206DA25 | 25 | 163 | 150 | 160 | 14 | 4-14 | 115 | 85 | 65 | 58 | 100 |
| C206DA32 | 32 | 201 | 186 | 180 | 16 | 4-18 | 135 | 100 | 78 | 66 | 120 |
| C206DA40 | 40 | 201 | 186 | 200 | 16 | 4-18 | 145 | 110 | 85 | 76 | 120 |
| C206DA50 | 50 | 230 | 209 | 250 | 16 | 4-18 | 160 | 125 | 100 | 88 | 140 |
| C206DA65 | 65 | 244 | 224 | 265 | 18 | 8-18 | 180 | 145 | 120 | 110 | 155 |
| C206DA80 | 80 | 337 | 300 | 280 | 20 | 8-18 | 195 | 160 | 135 | 121 | 180 |
| C206DA100 | 100 | 325 | 358 | 300 | 20 | 8-18 | 215 | 180 | 155 | 150 | 215 |

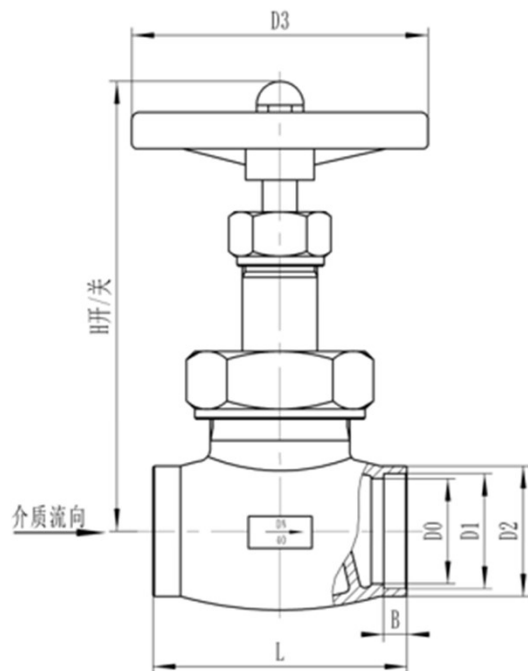


Globe valve-O₂,N₂,Ar₂



四川良川机械设备有限公司

SI CHUAN LIANGCHUAN MECHANICAL EQUIPMRNT CO.,LTD



Body: CF8 CF3
 Bonnet: SS304/316
 Stem: SS304/316
 Packing: PTFE
 Disc Seal: PCTFE
 Nominal diameter: DN10-40mm
 Nominal pressure: PN1.6-6.4Mpa
 Suitable temperature: -80°C~+80°C
 Applicable medium: Gas

| 产品代号 | 尺寸 | | | | | | | | |
|---------|----|-----|-----|-----|---|----|----|----|-----|
| | DN | H开 | H关 | L | B | D0 | D1 | D2 | D3 |
| C328J10 | 10 | 127 | 116 | 61 | 6 | 12 | 15 | 22 | 75 |
| C328J15 | 15 | 127 | 116 | 61 | 6 | 15 | 19 | 26 | 75 |
| C328J20 | 20 | 156 | 143 | 81 | 6 | 23 | 26 | 34 | 100 |
| C328J25 | 25 | 156 | 143 | 81 | 6 | 26 | 33 | 39 | 100 |
| C328J32 | 32 | 186 | 174 | 102 | 9 | 35 | 39 | 46 | 119 |
| C328J40 | 40 | 186 | 174 | 102 | 9 | 42 | 46 | 52 | 119 |

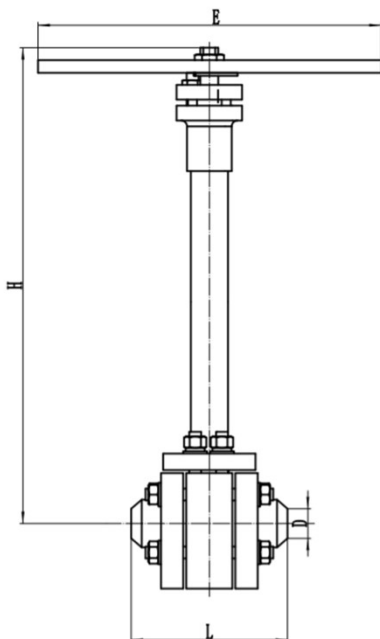


Ball valve-BW Type-CDQ61F



四川良川机械设备有限公司

SI CHUAN LIANGCHUAN MECHANICAL EQUIPMRNT CO.,LTD



Body: CF8 CF3

Bonnet:SS304/316

Stem:SS304/316

Packing: PTFE

Disc Seal: PCTFE

Nominal diameter: DN10-300mm

Nominal pressure: PN4.0Mpa

Suitable temperature:-196℃~+80℃

Applicable medium:LNG、LO2、LN2、LAr

| SIZE INCH | DIMENSION (mm) | | | |
|--------------|----------------|-----|-----|-----|
| | D | H | L | E |
| 1/2 | 18 | 193 | 105 | 180 |
| 3/4 | 25 | 193 | 105 | 180 |
| 1 | 32 | 218 | 127 | 200 |
| 1 1/2 | 45 | 246 | 155 | 360 |
| 2 | 57 | 336 | 180 | 360 |
| 3 | 90 | 390 | 205 | 420 |
| 4 | 115 | 430 | 230 | 450 |
| 6 | 166 | 480 | 305 | 520 |

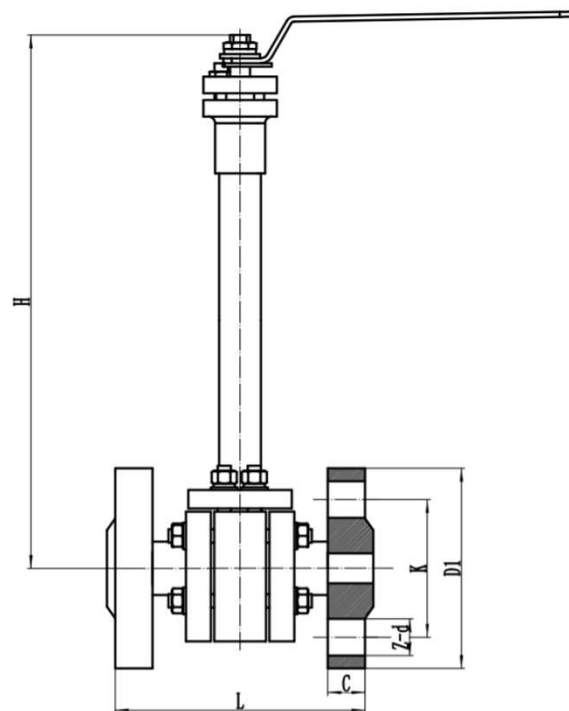


Ball valve-Flange Type-CDQ41F



四川良川机械设备有限公司

SI CHUAN LIANGCHUAN MECHANICAL EQUIPMRNT CO.,LTD



Body: CF8 CF3

Bonnet:SS304/316

Stem:SS304/316

Packing: PTFE

Disc Seal: PCTFE

Nominal diameter: DN10-50mm

Nominal pressure: PN1.6-6.4Mpa

Suitable temperature:-196°C~+80°C

Applicable medium:LNG、L02、LN2、LAr

| SIZE | DIMENSION (mm) | | | | | |
|------|----------------|------|------|----|-----|-----|
| INCH | D1 | K | Z-d | C | H | L |
| DN15 | 95 | 66.5 | 4-15 | 13 | 193 | 140 |
| DN20 | 117 | 82.5 | 4-19 | 14 | 193 | 152 |
| DN25 | 124 | 89 | 4-19 | 16 | 218 | 165 |
| DN50 | 165 | 127 | 8-19 | 21 | 336 | 216 |

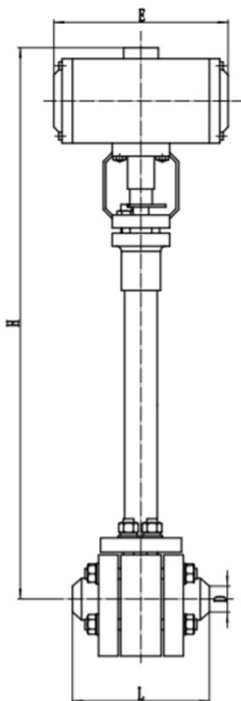


Ball valve-Pneumatic valve



四川良川机械设备有限公司

SI CHUAN LIANGCHUAN MECHANICAL EQUIPMRNT CO.,LTD



Body: CF8 CF3

Bonnet:SS304/316

Stem:SS304/316

Packing: PTFE

Disc Seal: PCTFE

Nominal diameter: DN10-50mm

Nominal pressure: PN1.6-6.4Mpa

Suitable temperature:-196℃~+80℃

Applicable medium:LNG、LO2、LN2、LAr

| SIZE | DIMENSION (mm) | | | |
|-------|----------------|-----|-----|-----|
| INCH | D | H | L | E |
| 1/2 | 18 | 385 | 85 | 347 |
| 3/4 | 25 | 385 | 85 | 420 |
| 1 | 32 | 408 | 100 | 420 |
| 1 1/2 | 45 | 508 | 115 | 426 |
| 2 | 57 | 598 | 160 | 590 |



Ball valve-SW-CDQ65F

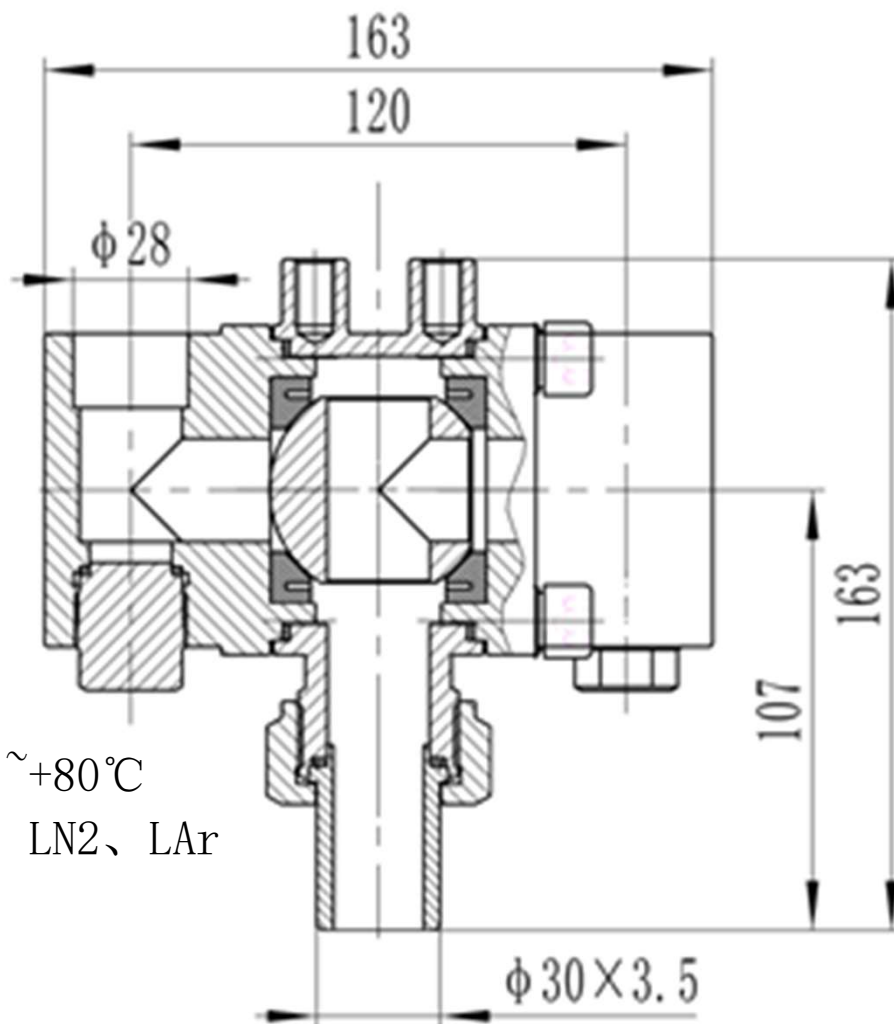


四川良川机械设备有限公司

SI CHUAN LIANGCHUAN MECHANICAL EQUIPMRNT CO.,LTD



Body: CF8 CF3
Bonnet: SS304/316
Stem: SS304/316
Packing: PTFE
Disc Seal: PCTFE
Nominal diameter: DN25mm
Nominal pressure: PN4.0Mpa
Suitable temperature: $-196^{\circ}\text{C} \sim +80^{\circ}\text{C}$
Applicable medium: LNG、L02、LN2、LAr



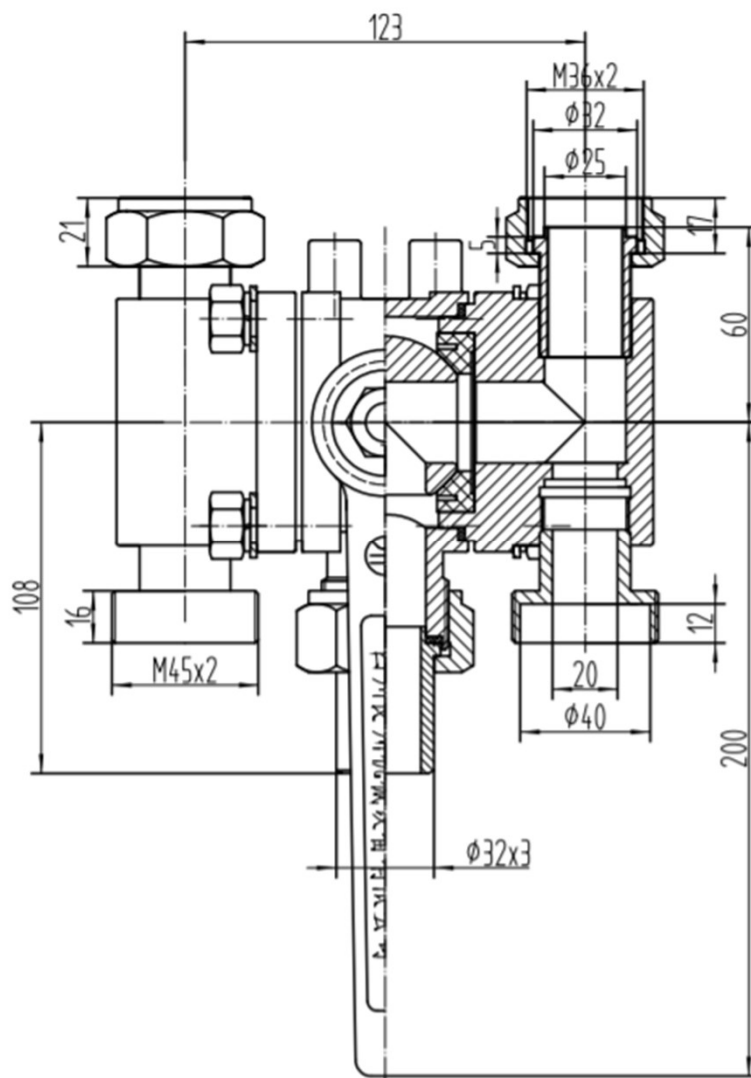


Ball valve-SW-CDQ65F



四川良川机械设备有限公司

SI CHUAN LIANGCHUAN MECHANICAL EQUIPMRNT CO.,LTD



- Body: CF8 CF3
- Bonnet: SS304/316
- Stem: SS304/316
- Packing: PTFE
- Disc Seal: PCTFE
- Nominal diameter: DN25mm
- Nominal pressure: PN4.0Mpa
- Suitable temperature: $-196^{\circ}\text{C} \sim +80^{\circ}\text{C}$
- Applicable medium: LNG、LO₂、LN₂、LAr

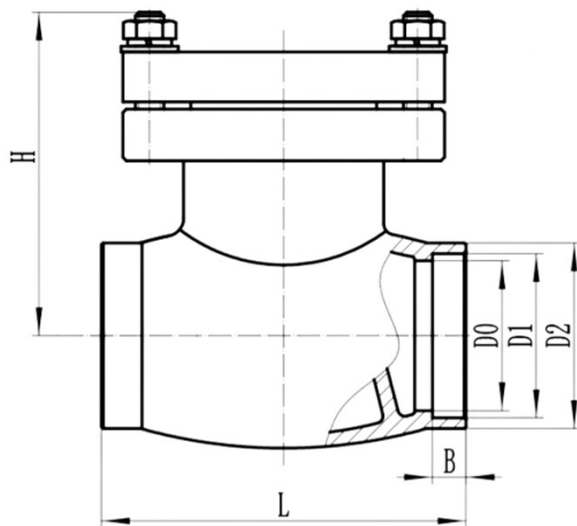


Check valve-SW Type-CDH61F



四川良川机械设备有限公司

SI CHUAN LIANGCHUAN MECHANICAL EQUIPMRNT CO.,LTD



Body: CF8 CF3

Bonnet:SS304/316

Stem:SS304/316

Packing: PTFE

Disc Seal: PCTFE

Nominal diameter: DN10-80mm

Nominal pressure: PN1.6-6.4Mpa

Suitable temperature:-196°C~+80°C

Applicable medium:LNG、LO2、LN2、LAr

| 产品代号 | 尺寸 | | | | | | |
|----------|----|-----|-----|----|----|----|-----|
| | DN | H | L | B | D0 | D1 | D2 |
| C325DH10 | 10 | 64 | 61 | 6 | 12 | 15 | 22 |
| C325DH15 | 15 | 64 | 61 | 6 | 15 | 19 | 26 |
| C325DH20 | 20 | 76 | 81 | 6 | 23 | 26 | 34 |
| C325DH25 | 25 | 76 | 81 | 6 | 26 | 33 | 39 |
| C325DH32 | 32 | 94 | 102 | 9 | 35 | 39 | 46 |
| C325DH40 | 40 | 94 | 102 | 10 | 42 | 46 | 52 |
| C325DH50 | 50 | 105 | 127 | 10 | 54 | 58 | 66 |
| C325DH65 | 65 | 112 | 150 | 10 | 68 | 77 | 85 |
| C325DH80 | 80 | 139 | 182 | 10 | 84 | 89 | 100 |

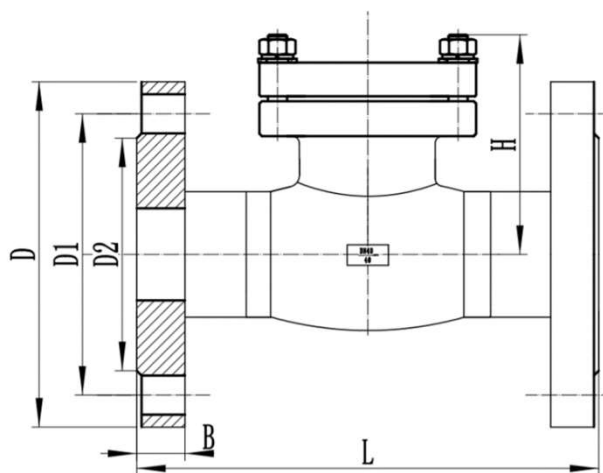


Check valve-Flange Type-CDH41F



四川良川机械设备有限公司

SI CHUAN LIANGCHUAN MECHANICAL EQUIPMRNT CO.,LTD



Body: CF8 CF3

Bonnet:SS304/316

Stem:SS304/316

Packing: PTFE

Disc Seal: PCTFE

Nominal diameter: DN10-80mm

Nominal pressure: PN1.6-6.4Mpa

Suitable temperature:-196°C~+80°C

Applicable medium:LNG、LO2、LN2、LAr

| 产品代号 | 尺寸 | | | | | | |
|----------|----|-----|-----|----|------|-----|-----|
| | DN | H | L | B | z-φd | D | D1 |
| C325DH15 | 15 | 64 | 130 | 14 | 4-14 | 95 | 65 |
| C325DH20 | 20 | 76 | 150 | 14 | 4-14 | 105 | 75 |
| C325DH25 | 25 | 76 | 160 | 14 | 4-14 | 115 | 85 |
| C325DH32 | 32 | 94 | 180 | 16 | 4-18 | 135 | 100 |
| C325DH40 | 40 | 94 | 200 | 16 | 4-18 | 145 | 110 |
| C325DH50 | 50 | 105 | 230 | 16 | 4-18 | 160 | 125 |
| C325DH65 | 65 | 112 | 290 | 18 | 8-18 | 180 | 145 |
| C325DH80 | 80 | 139 | 310 | 20 | 8-18 | 195 | 160 |

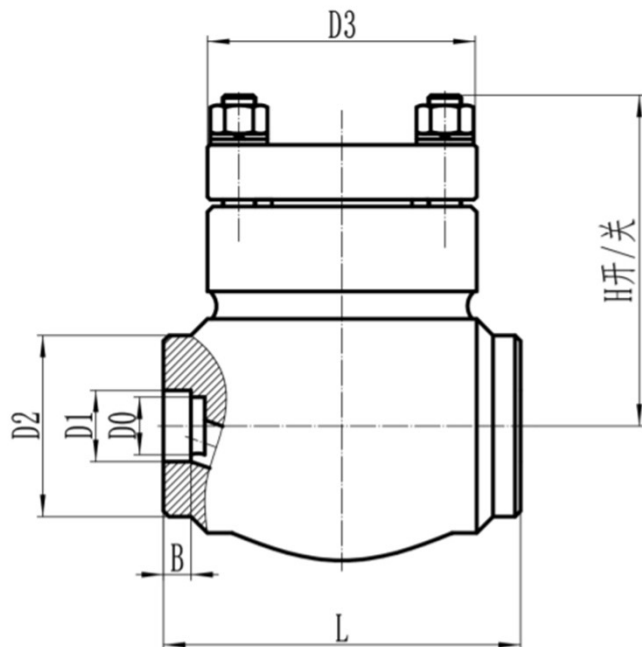


Check valve-High pressure Type-CDH61F



四川良川机械设备有限公司

SI CHUAN LIANGCHUAN MECHANICAL EQUIPMRNT CO.,LTD



Body: CF8 CF3

Bonnet:SS304/316

Stem:SS304/316

Packing: PTFE

Disc Seal: PCTFE

Nominal diameter: DN10-100mm

Nominal pressure: 32.0Mpa

Suitable temperature:-196℃~+80℃

Applicable medium:LNG、LO2、LN2、LAr

| 产品代号 | 尺寸 | | | | | | | |
|----------|----|-----|-----|----|----|----|----|----|
| | DN | H | L | B | D0 | D1 | D2 | D3 |
| C325DH10 | 10 | 90 | 114 | 10 | 13 | 18 | 42 | 85 |
| C325DH15 | 15 | 90 | 114 | 10 | 17 | 22 | 42 | 85 |
| C325DH20 | 20 | 118 | 130 | 10 | 21 | 26 | 66 | 98 |
| C325DH25 | 25 | 118 | 130 | 10 | 28 | 33 | 66 | 98 |

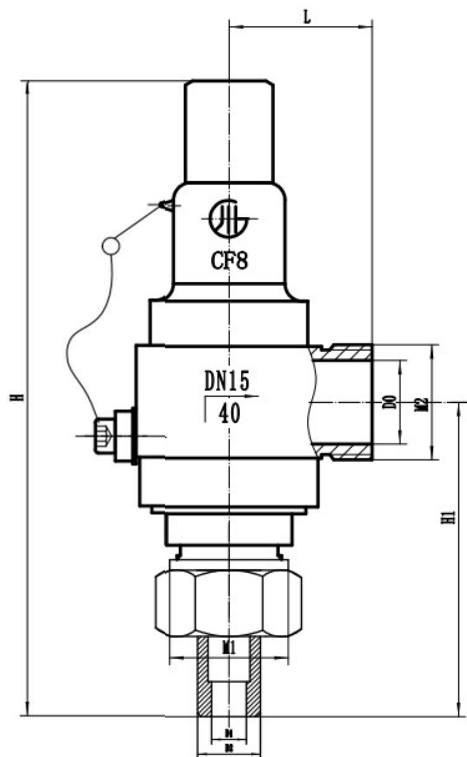


Safety valve-CDA22Y



四川良川机械设备有限公司

SI CHUAN LIANGCHUAN MECHANICAL EQUIPMRNT CO.,LTD



Body: CF8 CF3
 Bonnet:SS304/316
 Stem:SS304/316
 Packing: PTFE
 Disc Seal: PCTFE
 Nominal diameter: DN10-25mm
 Nominal pressure: PN1.6-4.0Mpa
 Set Pressure: 0.5MPa~3.0MPa
 Suitable temperature:-196℃~+80℃
 Applicable medium:LNG、LO2、LN2、LAr

| 产品代号 | 尺寸 | | | | | | | |
|----------|-----|-----|----|---------|-------|----|----|----|
| | H | H1 | L | M1 | M2 | D0 | D1 | D2 |
| C158DK15 | 187 | 96 | 41 | M30×1.5 | M33×2 | 24 | 12 | 18 |
| C158DK20 | 229 | 102 | 47 | M36×2 | M45×2 | 34 | 18 | 25 |
| C158DK25 | 229 | 102 | 47 | M36×2 | M45×2 | 34 | 20 | 28 |

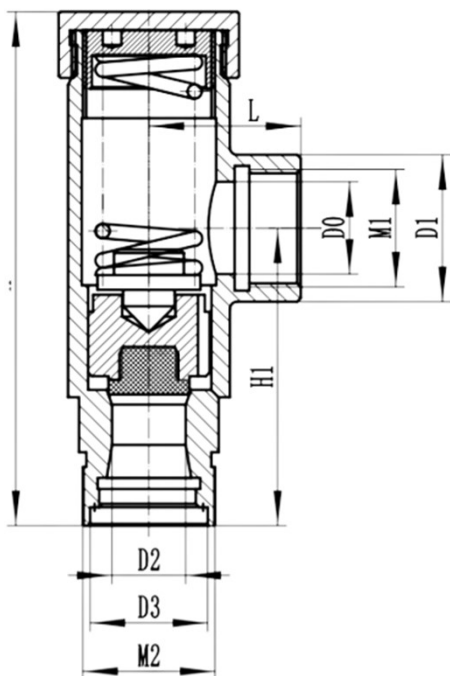


Safety valve-CDA21F



四川良川机械设备有限公司

SI CHUAN LIANGCHUAN MECHANICAL EQUIPMRNT CO.,LTD



Body: CF8 CF3

Bonnet:SS304/316

Stem:SS304/316

Packing: PTFE

Disc Seal: PCTFE

Nominal diameter: DN10-25mm

Nominal pressure: PN4.0Mpa

Set Pressure: 0.5MPa~3.0MPa

Suitable temperature:-196℃~+80℃

Applicable medium:LNG、LO2、LN2、LAr

| 产品代号 | 尺寸 | | | | | | | | |
|-------|-----|----|----|---------|-------|----|----|----|----|
| | H | H1 | L | M1 | M2 | D0 | D1 | D2 | D3 |
| C7K10 | 92 | 56 | 26 | M16×1 | M16×1 | 10 | 20 | 10 | - |
| C7K15 | 111 | 61 | 38 | M27×1.5 | M30×2 | 20 | 34 | 12 | 26 |
| C7K25 | 140 | 80 | 41 | M33×2 | M36×2 | 25 | 40 | 20 | 32 |

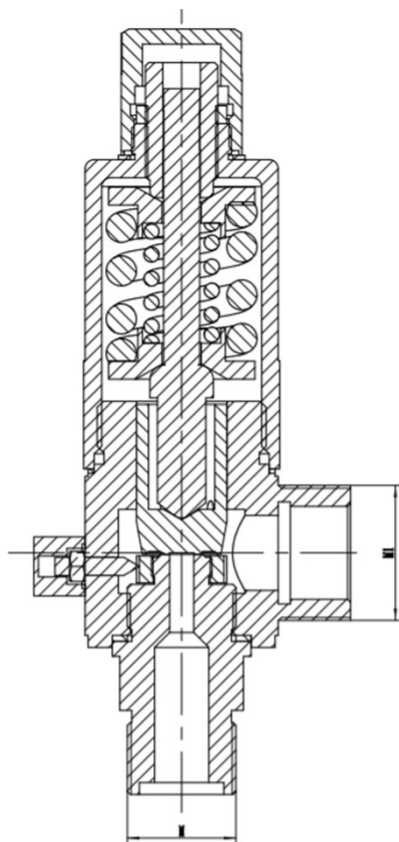


Safety valve-High pressure



四川良川机械设备有限公司

SI CHUAN LIANGCHUAN MECHANICAL EQUIPMRNT CO.,LTD



Body: CF8 CF3

Bonnet:SS304/316

Stem:SS304/316

Packing: PTFE

Disc Seal: PCTFE

Nominal diameter: DN15

Nominal pressure: PN32.0Mpa

Suitable temperature: $-196^{\circ}\text{C} \sim +80^{\circ}\text{C}$

Applicable medium:LNG、LO2、LN2、LAr

| | |
|----|------|
| M1 | 39x2 |
| M | 36x2 |

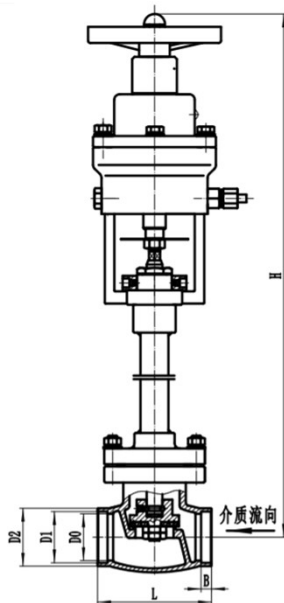


Emergency shut-off valve-CDQ661F



四川良川机械设备有限公司

SI CHUAN LIANGCHUAN MECHANICAL EQUIPMRNT CO.,LTD



Body: CF8 CF3
 Bonnet:SS304/316
 Stem:SS304/316
 Packing: PTFE
 Disc Seal: PCTFE
 Connector cylinder head:LZ101
 Gas pressure: 0.3-0.6MPa
 Emergency cut-off temperature:+70(±5℃)
 Nominal diameter: DN10-150mm
 Nominal pressure: PN1.6-6.4Mpa
 Suitable temperature:-196℃~+80℃
 Applicable medium:LNG、LO2、LN2、LAr

| 产品代号 | 尺寸 | | | | | | |
|-----------|-----|-----|-----|----|-----|-----|-----|
| | DN | H | L | B | D0 | D1 | D2 |
| C206DA10 | 10 | 392 | 61 | 6 | 12 | 15 | 22 |
| C206DA15 | 15 | 392 | 61 | 6 | 15 | 19 | 26 |
| C206DA20 | 20 | 448 | 81 | 6 | 23 | 26 | 34 |
| C206DA25 | 25 | 448 | 81 | 6 | 26 | 33 | 39 |
| C206DA32 | 32 | 505 | 102 | 9 | 35 | 39 | 46 |
| C206DA40 | 40 | 505 | 102 | 10 | 42 | 46 | 52 |
| C206DA50 | 50 | 538 | 127 | 10 | 54 | 58 | 66 |
| C206DA65 | 65 | 548 | 150 | 10 | 68 | 77 | 85 |
| C206DA80 | 80 | 638 | 182 | 10 | 84 | 89 | 100 |
| C206DA100 | 100 | 685 | 200 | 15 | 104 | 109 | 121 |
| C206DA150 | 150 | 758 | 405 | 15 | 151 | 160 | 195 |

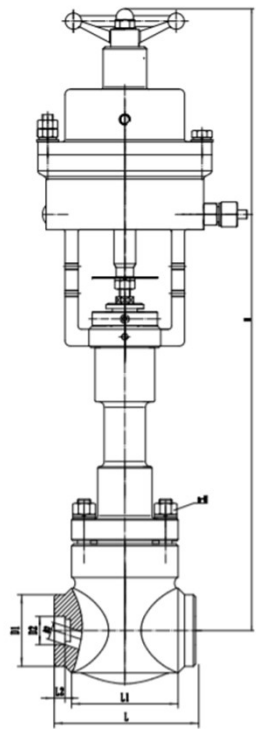


Emergency shut-off valve-High pressure



四川良川机械设备有限公司

SI CHUAN LIANGCHUAN MECHANICAL EQUIPMRNT CO.,LTD



Body: CF8 CF3
 Bonnet:SS304/316
 Stem:SS304/316
 Packing: PTFE
 Disc Seal: PCTFE
 Connector cylinder head:LZ101
 Gas pressure: 0.3-0.6MPa
 Emergency cut-off temperature:+70(±5℃)
 Nominal diameter: DN10-25mm
 Nominal pressure: PN1.6-6.4Mpa
 Suitable temperature:-196℃~+80℃
 Applicable medium:LNG、LO2、LN2、LAr

| 产品代号 | 尺寸 (mm) | | | | | | | | |
|----------|---------|-----|----|------|----|-----|----|----|-------|
| | DN | H | D1 | D2 | D3 | L | L1 | L2 | n-M |
| C208DA10 | 10 | 550 | 58 | 18.5 | 10 | 114 | 94 | 10 | 6-M12 |
| C208DA15 | 15 | 550 | 58 | 18.5 | 12 | 114 | 94 | 10 | 6-M12 |
| C208DA20 | 20 | 577 | 66 | 26 | 16 | 130 | 98 | 10 | 6-M12 |
| C208DA25 | 25 | 577 | 66 | 33 | 16 | 130 | 98 | 10 | 6-M12 |

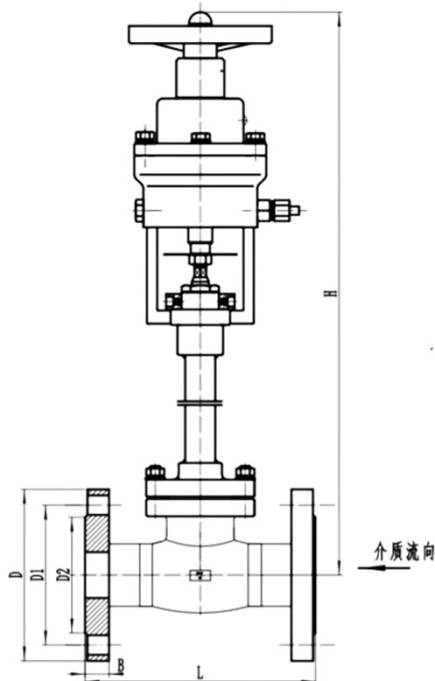


Emergency shut-off valve-Flange type



四川良川机械设备有限公司

SI CHUAN LIANGCHUAN MECHANICAL EQUIPMRNT CO.,LTD



Body: CF8 CF3

Bonnet:SS304/316

Stem:SS304/316

Packing: PTFE

Disc Seal: PCTFE

Connector cylinder head:LZ101

Gas pressure: 0.3-0.6MPa

Emergency cut-off temperature:+70(±5°C)

Nominal diameter: DN10-150mm

Nominal pressure: PN1.6-6.4Mpa

Suitable temperature:-196°C~+80°C

Applicable medium:LNG、LO2、LN2、LAr

| 产品代号 | 尺寸 | | | | | | | |
|-----------|-----|-----|-----|----|------|-----|-----|-----|
| | DN | H | L | B | z-φd | D | D1 | D2 |
| C206DA15 | 15 | 392 | 130 | 14 | 4-14 | 95 | 65 | 45 |
| C206DA20 | 20 | 448 | 150 | 14 | 4-14 | 105 | 75 | 55 |
| C206DA25 | 25 | 448 | 160 | 14 | 4-14 | 115 | 85 | 65 |
| C206DA32 | 32 | 505 | 180 | 16 | 4-18 | 135 | 100 | 78 |
| C206DA40 | 40 | 505 | 200 | 16 | 4-18 | 145 | 110 | 85 |
| C206DA50 | 50 | 538 | 250 | 16 | 4-18 | 160 | 125 | 100 |
| C206DA65 | 65 | 548 | 265 | 18 | 8-18 | 180 | 145 | 120 |
| C206DA80 | 80 | 638 | 280 | 20 | 8-18 | 195 | 160 | 135 |
| C206DA100 | 100 | 685 | 300 | 20 | 8-18 | 215 | 180 | 155 |
| C206DA150 | 150 | 758 | 350 | 24 | 8-23 | 280 | 240 | 210 |

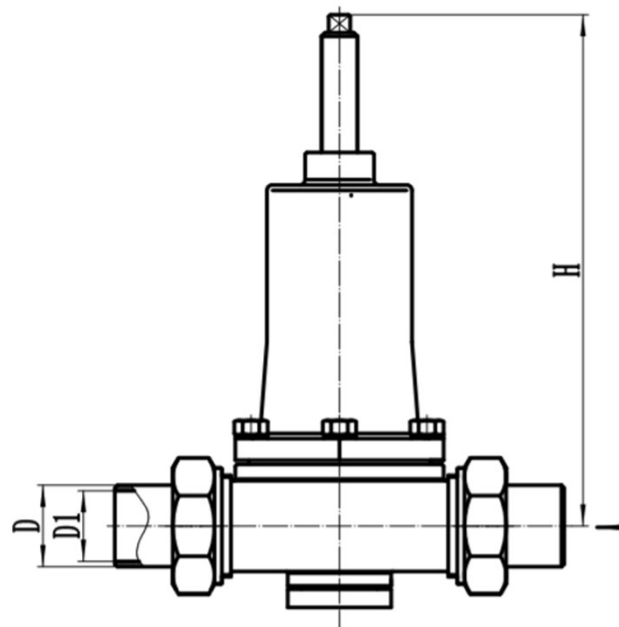


Boost pressure control valve-CDY22F-25PS



四川良川机械设备有限公司

SI CHUAN LIANGCHUAN MECHANICAL EQUIPMRNT CO.,LTD



Body: CF8 CF3
 Bonnet:SS304/316
 Stem:SS304/316
 Packing: PTFE
 Disc Seal: PCTFE
 Nominal diameter: DN20-50mm
 Nominal pressure: PN2.5Mpa
 Suitable temperature:-196°C~+80°C
 Applicable medium:LNG、LO2、LN2、Lar
 Regulation Range:
 Post-valve outlet pressure 1 : 0.2~1.0MPa
 Post-valve outlet pressure 2 : 0.8~1.6MPa

| 产品代号 | 尺寸 (mm) | | | |
|----------|---------|-----|----|----|
| | H | L | D0 | D1 |
| C271DE20 | 270 | 220 | 32 | 26 |
| C271DE25 | 270 | 220 | 32 | 26 |
| C271DE32 | 280 | 235 | 45 | 39 |
| C271DE40 | 280 | 235 | 45 | 39 |
| C271DE50 | 290 | 265 | 60 | 50 |

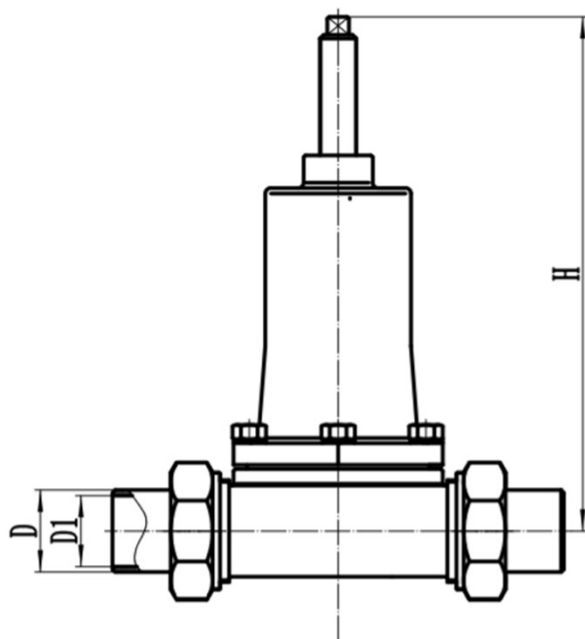


Pressure reducing control valve-CDY22F



四川良川机械设备有限公司

SI CHUAN LIANGCHUAN MECHANICAL EQUIPMRNT CO.,LTD



Body: CF8 CF3
 Bonnet:SS304/316
 Stem:SS304/316
 Packing: PTFE
 Disc Seal: PCTFE
 Nominal diameter: DN20-50mm
 Nominal pressure: PN2.5Mpa
 Suitable temperature:-196℃~+80℃
 Applicable medium:LNG、L02、LN2、Lar
 Regulation Range:
 Post-valve outlet pressure 1 : 0.2~1.0MPa
 Post-valve outlet pressure 2 : 0.8~1.6MPa

| 产品代号 | 尺寸(mm) | | | |
|----------|--------|-----|----|----|
| | H | L | D0 | D1 |
| C281DE20 | 270 | 220 | 32 | 26 |
| C281DE25 | 270 | 220 | 32 | 26 |
| C281DE32 | 280 | 235 | 45 | 39 |
| C281DE40 | 280 | 235 | 45 | 39 |
| C281DE50 | 290 | 265 | 60 | 50 |